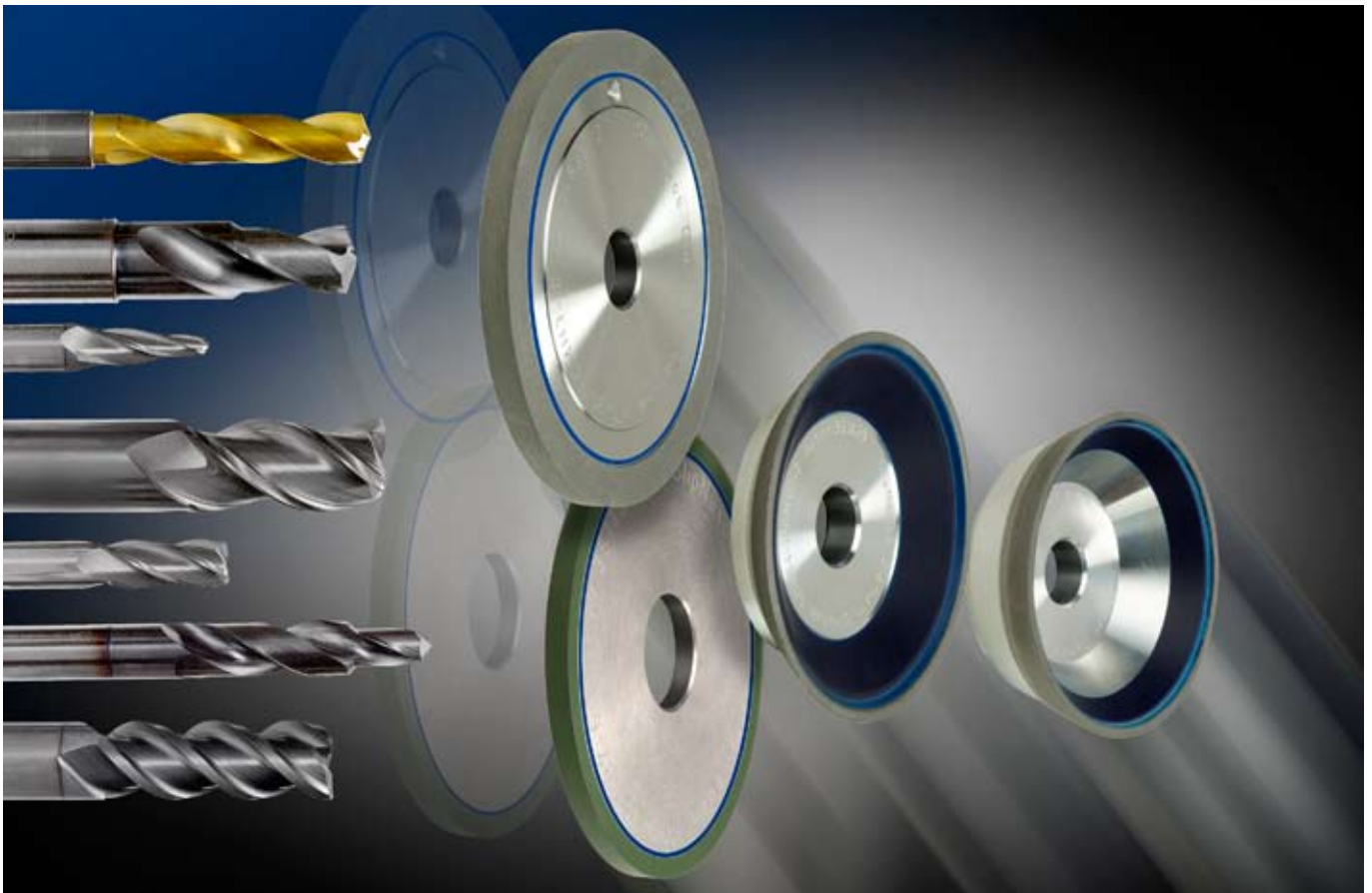




WINTERTHUR
TECHNOLOGY GROUP

NaxoForce

STOCK WHEELS / SEMI FINISHED STOCK



www.winterthurtechnology.com

© WENDT

Slip N Naxos

RAPPOLD



STOCK WHEELS

NaxoFlutepage 2-3

NaxoEdgepage 4

NaxoPolishpage 4

Explanationspage 5

SEMI FINISHED STOCK

NaxoFlute - 1A1

Ø 100 mm.....page 6

Ø 125 mm.....page 6

Ø 150 mm.....page 6

NaxoFlute - 1V1

Ø 100 mm.....page 6-7

Ø 125 mm.....page 7-8

Ø 150 mm.....page 8-9

NaxoFlute M - 1A1

Ø 100 mm.....page 10

Ø 125 mm.....page 10

Ø 150 mm.....page 10

NaxoFlute M - 1V1

Ø 100 mm.....page 10-11

Ø 125 mm.....page 11-12

Ø 150 mm.....page 12-13

NaxoFlute EZ - 1V1

Ø 100 mm.....page 14-15

Ø 125 mm.....page 15-16

Ø 150 mm.....page 16-17

NaxoFlute LP - 1A1

Ø 100 mm.....page 18

Ø 125 mm.....page 18

Ø 150 mm.....page 18

NaxoFlute LP - 1V1

Ø 100 mm.....page 18-19

Ø 125 mm.....page 19-20

Ø 150 mm.....page 20-21

Stock wheels

Wendt Art.no: 10dig.	Wendt description:	Fepa:	Dimensions:	Rim:	Dim / Angle:	Specification:
SN.Art.no:6dig.						
NaxoFlute						
B10A. 354.270	100-6-10-D64-NaxoFlute-20/E	1A1	100x6x20	100-6-10		D64 NaxoFlute /E
B10A. 353.190	100-6-10-D64-NaxoFlute-31.75/E	1A1	100x6x31.75	100-6-10		D64 NaxoFlute /E
B10A. 347.810	100-10-10-D64-NaxoFlute-20/E	1A1	100x10x20	100-10-10		D64 NaxoFlute /E
B10A. 353.292	100-10-10-D64-NaxoFlute-31.75/E	1A1	100x10x31.75	100-10-10		D64 NaxoFlute /E
B10A. 348.054	100-12-10-D64-NaxoFlute-20/E	1A1	100x12x20	100-12-10		D64 NaxoFlute /E
B10A. 349.462	100-12-10-D64-NaxoFlute-31.75/E	1A1	100x12x31.75	100-12-10		D64 NaxoFlute /
B10A. 352.783	100-15-10-D64-NaxoFluteM-20/E	1A1	100x15x20	100-15-10		D64 NaxoFluteM /E
B10A. 352.784	100-15-10-D64-NaxoFluteM-31.75/E	1A1	100x15x31.75	100-15-10		D64 NaxoFluteM /E
B10A. 354.589	100-10-10-D64-NaxoFluteEZ-20/E	1A1	100x10x20	100-10-10		D64 NaxoFluteEZ /E
B10A. 355.334	100-10-10-D64-NaxoFluteEZ-31,75/E	1A1	100x10x31.75	100-10-10		D64 NaxoFluteEZ /E
B10A. 359.185	100-12-10-D64-NaxoFluteEZ-20/E	1A1	100x12x20	100-12-10		D64 NaxoFluteEZ /E
B10A. 355.335	100-12-10-D64-NaxoFluteEZ-31,75/E	1A1	100x12x31.75	100-12-10		D64 NaxoFluteEZ /E
B10A. 355.336	100-15-10-D64-NaxoFluteEZ-20/E	1A1	100x15x20	100-15-10		D64 NaxoFluteEZ /E
B10A. 355.337	100-15-10-D64-NaxoFluteEZ-31,75/E	1A1	100x15x31.75	100-15-10		D64 NaxoFluteEZ /E
B10A. 354.733	125-6-10-D64-NaxoFlute-20/E	1A1	125x6x20	125-6-10		D64 NaxoFlute /E
B10A. 353.178	125-6-10-D64-NaxoFlute-31.75/E	1A1	125x6x31.75	125-6-10		D64 NaxoFlute /E
B10A. 353.771	125-8-10-D64-NaxoFlute-20/E	1A1	125x8x20	125-8-10		D64 NaxoFlute /E
B10A. 353.293	125-8-10-D64-NaxoFlute-31.75/E	1A1	125x8x31.75	125-8-10		D64 NaxoFlute /E
B10A. 352.677	125-10-10-D64-NaxoFlute-20/E	1A1	125x10x20	125-10-10		D64 NaxoFlute /E
B10A. 352.785	125-10-10-D64-NaxoFlute-31.75/E	1A1	125x10x31.75	125-10-10		D64 NaxoFlute /E
B10A. 349.141	125-12-10-D64-NaxoFlute-20/E	1A1	125x12x20	125-12-10		D64 NaxoFlute /E
B10A. 352.866	125-12-10-D64-NaxoFlute-31.75/E	1A1	125x12x31.75	125-12-10		D64 NaxoFlute /E
B10A. 352.789	125-16-10-D64-NaxoFluteM-20/E	1A1	125x16x20	125-16-10		D64 NaxoFluteM /E
B10A. 352.790	125-16-10-D64-NaxoFluteM-31.75/E	1A1	125x16x31.75	125-16-10		D64 NaxoFluteM /E
B10A. 355.338	125-10-10-D64-NaxoFluteEZ-20/E	1A1	125x10x20	125-10-10		D64 NaxoFluteEZ /E
B10A. 355.339	125-10-10-D64-NaxoFluteEZ-31,75/E	1A1	125x10x31.75	125-10-10		D64 NaxoFluteEZ /E
B10A. 355.340	125-12-10-D64-NaxoFluteEZ-20/E	1A1	125x12x20	125-12-10		D64 NaxoFluteEZ /E
B10A. 355.341	125-12-10-D64-NaxoFluteEZ-31,75/E	1A1	125x12x31.75	125-12-10		D64 NaxoFluteEZ /E
B10A. 354.590	125-16-10-D64-NaxoFluteEZ-20/E	1A1	125x16x20	125-16-10		D64 NaxoFluteEZ /E
B10A. 355.342	125-16-10-D64-NaxoFluteEZ-31,75/E	1A1	125x16x31.75	125-16-10		D64 NaxoFluteEZ /E

Stock wheels

Wendt Art.no: 10dig.	Wendt description:	Fepa:	Dimensions:	Dim / Angle:	Specification:
SN.Art.no:6dig.					
NaxoFlute					
B10A. 353.539	150-10-10-D64-NaxoFlute-20/E	1A1	150x10x20	150-10-10	D64 NaxoFlute /E
B10A. 353.294	150-10-10-D64-NaxoFlute-31.75/E	1A1	150x10x31.75	150-10-10	D64 NaxoFlute /E
B10A. 353.540	150-12-10-D64-NaxoFlute-20/E	1A1	150x12x20	150-12-10	D64 NaxoFlute /E
B10A. 352.510	150-12-10-D64-NaxoFlute-31.75/E	1A1	150x12x31.75	150-12-10	D64 NaxoFlute /E
B10A. 353.559	150-16-10-D64-NaxoFlute-20/E	1A1	150x16x20	150-16-10	D64 NaxoFlute /E
B10A. 355.381	150-16-10-D64-NaxoFlute-31.75/E	1A1	150x16x31.75	150-16-10	D64 NaxoFlute /E
B10A. 353.669	150-16-10-D64-NaxoFluteM-20/E	1A1	150x16x20	150-16-10	D64 NaxoFluteM /E
B10A. 355.352	150-16-10-D64-NaxoFluteM-31.75/E	1A1	150x16x31.75	150-16-10	D64 NaxoFluteM /E
B10A. 355.343	150-10-10-D64-NaxoFluteEZ-20/E	1A1	150x10x20	150-10-10	D64 NaxoFluteEZ /E
B10A. 355.344	150-10-10-D64-NaxoFluteEZ-31.75/E	1A1	150x10x31.75	150-10-10	D64 NaxoFluteEZ /E
B10A. 355.345	150-12-10-D64-NaxoFluteEZ-20/E	1A1	150x12x20	150-12-10	D64 NaxoFluteEZ /E
B10A. 355.346	150-12-10-D64-NaxoFluteEZ-31.75/E	1A1	150x12x31.75	150-12-10	D64 NaxoFluteEZ /E
B10A. 355.347	150-16-10-D64-NaxoFluteEZ-20/E	1A1	150x16x20	150-16-10	D64 NaxoFluteEZ /E
B10A. 355.348	150-16-10-D64-NaxoFluteEZ-31.75/E	1A1	150x16x31.75	150-16-10	D64 NaxoFluteEZ /E
B15A. 348.888	100-10/15°-10-D64-NaxoFlute-20/E	1V1	100x10x20	100-10-10	D64 NaxoFlute /E
B15A. 348.889	100-10/15°-10-D64-NaxoFlute-31.75/E	1V1	100x10x31.75	100-10-10	D64 NaxoFlute /E
B15A. 348.892	100-12/15°-10-D64-NaxoFlute-20/E	1V1	100x12x20	100-12-10	D64 NaxoFlute /E
B15A. 348.893	100-12/15°-10-D64-NaxoFlute-31.75/E	1V1	100x12x31.75	100-12-10	D64 NaxoFlute /E
B15A. 348.898	100-15/15°-10-D64-NaxoFlute-20/E	1V1	100x15x20	100-15-10	D64 NaxoFlute /E
B15A. 348.899	100-15/15°-10-D64-NaxoFlute-31.75/E	1V1	100x15x31.75	100-15-10	D64 NaxoFlute /E
B15A. 348.902	125-10/15°-10-D64-NaxoFlute-20/E	1V1	125x10x20	125-10-10	D64 NaxoFlute /E
B15A. 348.903	125-10/15°-10-D64-NaxoFlute-31.75/E	1V1	125x10x31.75	125-10-10	D64 NaxoFlute /E
B15A. 348.788	125-12/15°-10-D64-NaxoFlute-20/E	1V1	125x12x20	125-12-10	D64 NaxoFlute /E
B15A. 348.905	125-12/15°-10-D64-NaxoFlute-31.75/E	1V1	125x12x31.75	125-12-10	D64 NaxoFlute /E
B15A. 348.173	125-16/15°-10-D64-NaxoFlute-20/E	1V1	125x16x20	125-16-10	D64 NaxoFlute /E
B15A. 348.907	125-16/15°-10-D64-NaxoFlute-31.75/E	1V1	125x16x31.75	125-16-10	D64 NaxoFlute /E

Stock wheels

Wendt Art.no: 10dig.

SN.Art.no:6dig.

Wendt description:

NaxoEdge - Clearance, Point, Relief:

B40A. 352.625	75-3-10-D54-NaxoEdge-20/XA;T30;E12;J53;K45
B40A. 353.904	75-3-10-D54-NaxoEdge-31.75/XA;T30;E12;J53;K45
B40A. 347.014	100-3-10-D64-NaxoEdge-20/XA;T35;E12;J71;K61
B40A. 348.339	100-3-10-D64-NaxoEdge-31.75/XA;T35;E12;J71;K61
B40A. 353.077	100-3-10-D54-NaxoEdge-20/XA;T35;E12;J71;K61
B40A. 352.930	100-3-10-D54-NaxoEdge-31.75/XA;T35;E12;J71;K61
B40A. 346.346	125-3-10-D64-NaxoEdge-20/XA;T40;E12;J93;K71,6
B40A. 348.340	125-3-10-D64-NaxoEdge-31.75/XA;T40;E12;J93;K71,6
B40A. 353.560	125-3-10-D54-NaxoEdge-20/XA;T40;E12;J93;K71,6
B40A. 355.382	125-3-10-D54-NaxoEdge-31.75/XA;T40;E12;J93;K71,6
B34A. 352.720	75-3-3-D64-NaxoEdge-20/A;T25;E10;J60;K53
B34A. 354.101	75-3-3-D64-NaxoEdge-31.75/A;T25;E10;J60;K53
B34A. 352.721	100-6-6-D64-NaxoEdge-20/A;T35;E12;J80;K65
B34A. 352.914	100-6-6-D64-NaxoEdge-31.75/A;T35;E12;J80;K65
B43X. 354.014	100-3-10-D64-NaxoEdge-20/XA;T30;E10;K80;S30
B43X. 355.383	100-3-10-D64-NaxoEdge-31.75/XA;T30;E10;K80;S30

NaxoEdge - Gashing:

B41A. 351.429	100-3-10-D64-NaxoEdge-20/XA;T20;E10;J68;K56,3
B41A. 351.430	100-3-10-D64-NaxoEdge-31.75/XA;T20;E10;J68;K56,3
B41A. 346.854	125-3-10-D64-NaxoEdge-20/XA;T25;E12;J81;K80
B41A. 347.270	125-3-10-D64-NaxoEdge-31.750/XA;T25;E12;J81;K80
B15A. 352.522	100-8/45°-6-D64-NaxoEdge-20/E
B15A. 354.567	100-8/45°-6-D64-NaxoEdge-31.75/E
B15A. 355.388	125-10/45°-6-D64-NaxoEdge-20/E
B15A. 347.507	125-10/45°-6-D64-NaxoEdge-31.75/E

NaxoPolish - Polishing:

A40A. 352.723	75-3-10-D15-NaxoPolish-20/BA;T30;E10;J53;K45
A40A. 355.384	75-3-10-D15-NaxoPolish-31.75/BA;T30;E10;J53;K45
A40A. 352.724	100-3-10-D15-NaxoPolish-20/BA;T35;E10;J71;K61
A40A. 355.385	100-3-10-D15-NaxoPolish-31.75/BA;T35;E10;J71;K61
A41A. 351.319	100-3-10-D15-NaxoPolishM-20/BA;T20;E10;J68;K65
A41A. 355.386	100-3-10-D15-NaxoPolishM-31.75/BA;T20;E10;J68;K65
A10A. 352.541	100-10-6-D15-NaxoPolishM-20/BA
A10A. 355.387	100-10-6-D15-NaxoPolishM-31.75/BA

Fepa:

NaxoEdge - Clearance, Point, Relief:

Dimensions:	Rim:	Dim / Angle:	Specification:
75x30x20	75-10-3	E=12 J=53 K=45	D54 NaxoEdge /XA
75x30x31.75	75-10-3	E=12 J=53 K=45	D54 NaxoEdge /XA
100x35x20	100-10-3	E=12 J=71 K=61	D64 NaxoEdge /XA
100x35x31.75	100-10-3	E=12 J=71 K=61	D64 NaxoEdge /XA
100x35x20	100-10-3	E=12 J=71 K=61	D54 NaxoEdge /XA
100x35x31.75	100-10-3	E=12 J=71 K=61	D54 NaxoEdge /XA
125x40x20	125-10-3	E=12 J=93 K=71,6	D64 NaxoEdge /XA
125x40x31.75	125-10-3	E=12 J=93 K=71,6	D64 NaxoEdge /XA
125x40x20	125-10-3	E=12 J=93 K=71,6	D54 NaxoEdge /XA
125x40x31.75	125-10-3	E=12 J=93 K=71,6	D54 NaxoEdge /XA
75x25x20	75-3-3	E=10 J=60 K=53	D64 NaxoEdge /A
75x25x31.75	75-3-3	E=10 J=60 K=53	D64 NaxoEdge /A
100x35x20	100-6-6	E=12 J=80 K=65	D64 NaxoEdge /A
100x35x31.75	100-6-6	E=12 J=80 K=65	D64 NaxoEdge /A
100x30x20	100-10-3	E=10 K=80 V=30°	D64 NaxoEdge /XA
100x30x31.75	100-10-3	E=10 K=80 V=30°	D64 NaxoEdge /XA

NaxoEdge - Gashing:

100x20x20	100-10-3	E=10 J=68 K=56,3	D64 NaxoEdge /XA
100x20x31.75	100-10-3	E=10 J=68 K=56,3	D64 NaxoEdge /XA
125x25x20	125-10-3	E=12 J=81 K=80	D64 NaxoEdge /XA
125x25x31.75	125-10-3	E=12 J=81 K=80	D64 NaxoEdge /XA
100x8x20	100-8-6	V=45°	D64 NaxoEdge /E
100x8x31.75	100-8-6	V=45°	D64 NaxoEdge /E
125x10x20	125-10-6	V=45°	D64 NaxoEdge /E
125x10x31.75	125-10-6	V=45°	D64 NaxoEdge /E

NaxoPolish - Polishing:

75x30x20	75-10-3	E=10 J=53 K=45	D15 NaxoPolish /XBA
75x30x31.75	75-10-3	E=10 J=53 K=45	D15 NaxoPolish /XBA
100x35x20	100-10-3	E=10 J=71 K=61	D15 NaxoPolish /XBA
100x35x31.75	100-10-3	E=10 J=71 K=61	D15 NaxoPolish /XBA
100x20x20	100-10-3	E=10 J=68 K=65	D15 NaxoPolishM /BA
100x20x31.75	100-10-3	E=10 J=68 K=65	D15 NaxoPolishM /BA
100x10x20	100-10-6	E=10 J=68 K=65	D15 NaxoPolishM /BA
100x10x31.75	100-10-6	E=10 J=68 K=65	D15 NaxoPolishM /BA

Stock wheels - Explanations

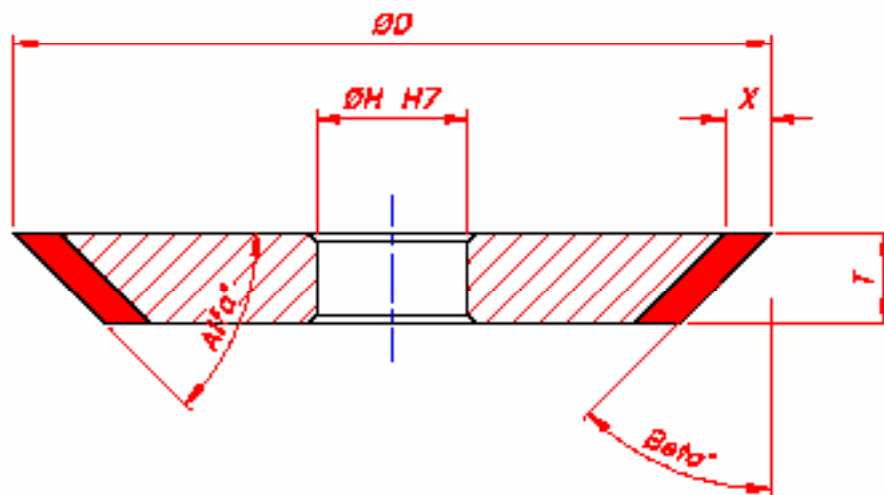
NaxoFlute	Standard NaxoFlute with best formholding. Steel core
NaxoFlute M	NaxoFlute - softer for bigger contact area and automatic production lines. Steel core.
NaxoFlute EZ/E	Softer and more freecutting wheel. For higher feedrates.
NaxoEdge	Clearance and Gashing wheel, excellent formholdning and cuttability.
NaxoPolish	Polishing wheel
NaxoPolish M	Polishing wheel, softer for bigger contact area.
Comment:	The description correspond to the grit type, concentration and bond type.

NOTE! Be sure to select the the type of angle you enter!

Coretype:	/E Steelcore.
	/XA Aluminiumcore with epoxy support rim.
	/BA Mixed core with aluminium and bakelite.
	/XBA Mixed core with aluminium and bakelite with epoxy support rim.

Delivery time appx: 2 weeks.

Price according to prizecalculflation program.
Stock - 10 pc price.



Semi finished stock

Wendt Art.no: 10dig.

SN.Art.no: 6dig. Wendt description:

			Fepa:	Dimensions:	Rim:	Angle:	Specification:
NaxoFlute - 1A1 - Ø 100 mm							
B10A.	346.749	100-10-10-D91-NaxoFlute-20/E	1A1	100x10x20	100-10-10		D91 NaxoFlute /E
B10A.	347.773	100-10-10-D91-NaxoFlute-31,75/E	1A1	100x10x31.75	100-10-10		D91 NaxoFlute /E
B10A.	346.750	100-12-10-D91-NaxoFlute-20/E	1A1	100x12x20	100-12-10		D91 NaxoFlute /E
B10A.	348.312	100-12-10-D91-NaxoFlute-31,75/E	1A1	100x12x31.75	100-12-10		D91 NaxoFlute /E
B10A.	346.307	100-15-10-D91-NaxoFlute-20/E	1A1	100x15x20	100-15-10		D91 NaxoFlute /E
B10A.	348.314	100-15-10-D91-NaxoFlute-31,75/E	1A1	100x15x31.75	100-15-10		D91 NaxoFlute /E
NaxoFlute - 1A1 - Ø 125 mm							
B10A.	346.312	125-10-10-D91-NaxoFlute-20/E	1A1	125x10x20	125-10-10		D91 NaxoFlute /E
B10A.	348.317	125-10-10-D91-NaxoFlute-31,75/E	1A1	125x10x31.75	125-10-10		D91 NaxoFlute /E
B10A.	348.320	125-12-10-D91-NaxoFlute-20/E	1A1	125x12x20	125-12-10		D91 NaxoFlute /E
B10A.	348.321	125-12-10-D91-NaxoFlute-31,75/E	1A1	125x12x31.75	125-12-10		D91 NaxoFlute /E
B10A.	347.764	125-16-10-D91-NaxoFlute-20/E	1A1	125x16x20	125-16-10		D91 NaxoFlute /E
B10A.	346.537	125-16-10-D91-NaxoFlute-31,75/E	1A1	125x16x31.75	125-16-10		D91 NaxoFlute /E
NaxoFlute - 1A1 - Ø 150 mm							
B10A.	348.232	150-10-10-D91-NaxoFlute-20/E	1A1	150x10x20	150-10-10		D91 NaxoFlute /E
B10A.	345.902	150-10-10-D91-NaxoFlute-31,75/E	1A1	150x10x31.75	150-10-10		D91 NaxoFlute /E
B10A.	351.162	150-12-10-D91-NaxoFlute-20/E	1A1	150x12x20	150-12-10		D91 NaxoFlute /E
B10A.	346.580	150-12-10-D91-NaxoFlute-31,75/E	1A1	150x12x31.75	150-12-10		D91 NaxoFlute /E
B10A.	351.976	150-16-10-D91-NaxoFlute-20/E	1A1	150x16x20	150-16-10		D91 NaxoFlute /E
B10A.	347.680	150-16-10-D91-NaxoFlute-31,75/E	1A1	150x16x31.75	150-16-10		D91 NaxoFlute /E
NaxoFlute - 1V1 - Ø 100 mm							
B15A.	353.526	100-10/5°-10-D64-NaxoFlute-20/E	1V1	100x10x20	100-10-10	5°	D64 NaxoFlute /E
B15A.	353.527	100-10/5°-10-D64-NaxoFlute-31,75/E	1V1	100x10x31.75	100-10-10	5°	D64 NaxoFlute /E
B15A.	350.919	100-10/10°-10-D64-NaxoFlute-20/E	1V1	100x10x20	100-10-10	10°	D64 NaxoFlute /E
B15A.	353.528	100-10/10°-10-D64-NaxoFlute-31,75/E	1V1	100x10x31.75	100-10-10	10°	D64 NaxoFlute /E
B15A.	353.530	100-10/20°-10-D64-NaxoFlute-20/E	1V1	100x10x20	100-10-10	20°	D64 NaxoFlute /E
B15A.	353.531	100-10/20°-10-D64-NaxoFlute-31,75/E	1V1	100x10x31.75	100-10-10	20°	D64 NaxoFlute /E
B15A.	353.532	100-10/25°-10-D64-NaxoFlute-20/E	1V1	100x10x20	100-10-10	25°	D64 NaxoFlute /E
B15A.	353.533	100-10/25°-10-D64-NaxoFlute-31,75/E	1V1	100x10x31.75	100-10-10	25°	D64 NaxoFlute /E
B15A.	353.534	100-10/30°-10-D64-NaxoFlute-20/E	1V1	100x10x20	100-10-10	30°	D64 NaxoFlute /E
B15A.	353.535	100-10/30°-10-D64-NaxoFlute-31,75/E	1V1	100x10x31.75	100-10-10	30°	D64 NaxoFlute /E

Explanations:

NaxoFlute /E Standard NaxoFlute with best formholding. Steel core.

As only the core is in stock, the specification can be changed. Delivery time appx: 12 workdays.

Price according to pricerecalculation program. Semistock - 3 pc price (Changes as framework +5%)

Framework for possible changes in the semifinished stockwheels

Grit size: 46, 64, 91

Angle (1V1): 0 - 30 degrees (Beta)

T - measure: 5 - 16 mm (diam. 100 mm= 5 - 15 mm)

Semi finished stock

Wendt Art.no: 10dig.

SN.Art.no: 6dig.	Wendt description:	Fepa:	Dimensions:	Rim:	Angle:	Specification:
NaxoFlute - 1V1 - Ø 100 mm						
B15A. 353.536	100-12/5°-10-D64-NaxoFlute-20/E	1V1	100x12x20	100-12-10	5°	D64 NaxoFlute /E
B15A. 353.537	100-12/5°-10-D64-NaxoFlute-31,75/E	1V1	100x12x31.75	100-12-10	5°	D64 NaxoFlute /E
B15A. 353.529	100-12/10°-10-D64-NaxoFlute-20/E	1V1	100x12x20	100-12-10	10°	D64 NaxoFlute /E
B15A. 353.538	100-12/10°-10-D64-NaxoFlute-31,75/E	1V1	100x12x31.75	100-12-10	10°	D64 NaxoFlute /E
B15A. 350.729	100-12/20°-10-D64-NaxoFlute-20/E	1V1	100x12x20	100-12-10	20°	D64 NaxoFlute /E
B15A. 353.541	100-12/20°-10-D64-NaxoFlute-31,75/E	1V1	100x12x31.75	100-12-10	20°	D64 NaxoFlute /E
B15A. 353.542	100-12/25°-10-D64-NaxoFlute-20/E	1V1	100x12x20	100-12-10	25°	D64 NaxoFlute /E
B15A. 353.543	100-12/25°-10-D64-NaxoFlute-31,75/E	1V1	100x12x31.75	100-12-10	25°	D64 NaxoFlute /E
B15A. 352.410	100-12/30°-10-D64-NaxoFlute-20/E	1V1	100x12x20	100-12-10	30°	D64 NaxoFlute /E
B15A. 353.544	100-12/30°-10-D64-NaxoFlute-31,75/E	1V1	100x12x31.75	100-12-10	30°	D64 NaxoFlute /E
B15A. 355.353	100-15/5°-10-D64-NaxoFlute-20/E	1V1	100x15x20	100-15-10	5°	D64 NaxoFlute /E
B15A. 355.354	100-15/5°-10-D64-NaxoFlute-31,75/E	1V1	100x15x31.75	100-15-10	5°	D64 NaxoFlute /E
B15A. 355.355	100-15/10°-10-D64-NaxoFlute-20/E	1V1	100x15x20	100-15-10	10°	D64 NaxoFlute /E
B15A. 355.356	100-15/10°-10-D64-NaxoFlute-31,75/E	1V1	100x15x31.75	100-15-10	10°	D64 NaxoFlute /E
B15A. 352.396	100-15/20°-10-D64-NaxoFlute-20/E	1V1	100x15x20	100-15-10	20°	D64 NaxoFlute /E
B15A. 355.357	100-15/20°-10-D64-NaxoFlute-31,75/E	1V1	100x15x31.75	100-15-10	20°	D64 NaxoFlute /E
B15A. 355.358	100-15/25°-10-D64-NaxoFlute-20/E	1V1	100x15x20	100-15-10	25°	D64 NaxoFlute /E
B15A. 355.359	100-15/25°-10-D64-NaxoFlute-31,75/E	1V1	100x15x31.75	100-15-10	25°	D64 NaxoFlute /E
B15A. 350.477	100-15/30°-10-D64-NaxoFlute-20/E	1V1	100x15x20	100-15-10	30°	D64 NaxoFlute /E
B15A. 355.360	100-15/30°-10-D64-NaxoFlute-31,75/E	1V1	100x15x31.75	100-15-10	30°	D64 NaxoFlute /E
NaxoFlute - 1V1 - Ø 125 mm						
B15A. 353.557	125-10/5°-10-D64-NaxoFlute-20/E	1V1	125x10x20	125-10-10	5°	D64 NaxoFlute /E
B15A. 353.558	125-10/5°-10-D64-NaxoFlute-31,75/E	1V1	125x10x31.75	125-10-10	5°	D64 NaxoFlute /E
B15A. 351.914	125-10/10°-10-D64-NaxoFlute-20/E	1V1	125x10x20	125-10-10	10°	D64 NaxoFlute /E
B15A. 351.915	125-10/10°-10-D64-NaxoFlute-31,75/E	1V1	125x10x31.75	125-10-10	10°	D64 NaxoFlute /E
B15A. 352.725	125-10/20°-10-D64-NaxoFlute-20/E	1V1	125x10x20	125-10-10	20°	D64 NaxoFlute /E
B15A. 352.726	125-10/20°-10-D64-NaxoFlute-31,75/E	1V1	125x10x31.75	125-10-10	20°	D64 NaxoFlute /E
B15A. 352.727	125-10/25°-10-D64-NaxoFlute-20/E	1V1	125x10x20	125-10-10	25°	D64 NaxoFlute /E
B15A. 353.200	125-10/25°-10-D64-NaxoFlute-31,75/E	1V1	125x10x31.75	125-10-10	25°	D64 NaxoFlute /E
B15A. 351.410	125-10/30°-10-D64-NaxoFlute-20/E	1V1	125x10x20	125-10-10	30°	D64 NaxoFlute /E
B15A. 352.728	125-10/30°-10-D64-NaxoFlute-31,75/E	1V1	125x10x31.75	125-10-10	30°	D64 NaxoFlute /E

Explanations:

NaxoFlute /E Standard NaxoFlute with best formholding. Steel core.

As only the core is in stock, the specification can be changed. Delivery time appx: 12 workdays.

Price according to pricecalculation program. Semistock - 3 pc price (Changes as framework +5%)

Framework for possible changes in the semifinished stockwheels

Grit size: 46, 64, 91
Angle (1V1): 0 - 30 degrees (Beta)
T - measure: 5 - 16 mm (diam. 100 mm= 5 - 15 mm)

Semi finished stock

Wendt Art.no: 10dig.

SN.Art.no: 6dig. **Wendt description:**

Fepa:

Dimensions:

Rim:

Angle:

Specification:

NaxoFlute - 1V1 - Ø 125 mm

B15A.	352.729	125-12/5°-10-D64-NaxoFlute-20/E	1V1	125x12x20	125-12-10	5°	D64 NaxoFlute /E
B15A.	352.730	125-12/5°-10-D64-NaxoFlute-31,75/E	1V1	125x12x31.75	125-12-10	5°	D64 NaxoFlute /E
B15A.	351.912	125-12/10°-10-D64-NaxoFlute-20/E	1V1	125x12x20	125-12-10	10°	D64 NaxoFlute /E
B15A.	351.913	125-12/10°-10-D64-NaxoFlute-31,75/E	1V1	125x12x31.75	125-12-10	10°	D64 NaxoFlute /E
B15A.	350.353	125-12/20°-10-D64-NaxoFlute-20/E	1V1	125x12x20	125-12-10	20°	D64 NaxoFlute /E
B15A.	350.776	125-12/20°-10-D64-NaxoFlute-31,75/E	1V1	125x12x31.75	125-12-10	20°	D64 NaxoFlute /E
B15A.	352.731	125-12/25°-10-D64-NaxoFlute-20/E	1V1	125x12x20	125-12-10	25°	D64 NaxoFlute /E
B15A.	351.263	125-12/25°-10-D64-NaxoFlute-31,75/E	1V1	125x12x31.75	125-12-10	25°	D64 NaxoFlute /E
B15A.	352.732	125-12/30°-10-D64-NaxoFlute-20/E	1V1	125x12x20	125-12-10	30°	D64 NaxoFlute /E
B15A.	350.777	125-12/30°-10-D64-NaxoFlute-31,75/E	1V1	125x12x31.75	125-12-10	30°	D64 NaxoFlute /E
B15A.	355.361	125-16/5°-10-D64-NaxoFlute-20/E	1V1	125x16x20	125-16-10	5°	D64 NaxoFlute /E
B15A.	355.362	125-16/5°-10-D64-NaxoFlute-31,75/E	1V1	125x16x31.75	125-16-10	5°	D64 NaxoFlute /E
B15A.	355.363	125-16/10°-10-D64-NaxoFlute-20/E	1V1	125x16x20	125-16-10	10°	D64 NaxoFlute /E
B15A.	355.364	125-16/10°-10-D64-NaxoFlute-31,75/E	1V1	125x16x31.75	125-16-10	10°	D64 NaxoFlute /E
B15A.	355.365	125-16/20°-10-D64-NaxoFlute-20/E	1V1	125x16x20	125-16-10	20°	D64 NaxoFlute /E
B15A.	355.366	125-16/20°-10-D64-NaxoFlute-31,75/E	1V1	125x16x31.75	125-16-10	20°	D64 NaxoFlute /E
B15A.	355.367	125-16/25°-10-D64-NaxoFlute-20/E	1V1	125x16x20	125-16-10	25°	D64 NaxoFlute /E
B15A.	355.368	125-16/25°-10-D64-NaxoFlute-31,75/E	1V1	125x16x31.75	125-16-10	25°	D64 NaxoFlute /E
B15A.	355.369	125-16/30°-10-D64-NaxoFlute-20/E	1V1	125x16x20	125-16-10	30°	D64 NaxoFlute /E
B15A.	355.370	125-16/30°-10-D64-NaxoFlute-31,75/E	1V1	125x16x31.75	125-16-10	30°	D64 NaxoFlute /E

NaxoFlute 1V1 - Ø 150 mm

B15A.	352.745	150-10/5°-10-D64-NaxoFlute-20/E	1V1	150x10x20	150-10-10	5°	D64 NaxoFlute /E
B15A.	352.746	150-10/5°-10-D64-NaxoFlute-31,75/E	1V1	150x10x31.75	150-10-10	5°	D64 NaxoFlute /E
B15A.	352.747	150-10/10°-10-D64-NaxoFlute-20/E	1V1	150x10x20	150-10-10	10°	D64 NaxoFlute /E
B15A.	352.748	150-10/10°-10-D64-NaxoFlute-31,75/E	1V1	150x10x31.75	150-10-10	10°	D64 NaxoFlute /E
B15A.	352.749	150-10/15°-10-D64-NaxoFlute-20/E	1V1	150x10x20	150-10-10	15°	D64 NaxoFlute /E
B15A.	352.341	150-10/15°-10-D64-NaxoFlute-31,75/E	1V1	150x10x31.75	150-10-10	15°	D64 NaxoFlute /E
B15A.	352.750	150-10/20°-10-D64-NaxoFlute-20/E	1V1	150x10x20	150-10-10	20°	D64 NaxoFlute /E
B15A.	352.751	150-10/20°-10-D64-NaxoFlute-31,75/E	1V1	150x10x31.75	150-10-10	20°	D64 NaxoFlute /E

Explanations:

NaxoFlute /E Standard NaxoFlute with best formholding. Steel core.

As only the core is in stock, the specification can be changed. Delivery time appx: 12 workdays.

Price according to pricecalculation program. Semistock - 3 pc price (Changes as framework +5%)

Framework for possible changes in the semifinished stockwheels

Grit size: 46, 64, 91

Angle (1V1): 0 - 30 degrees (Beta)

T - measure: 5 - 16 mm (diam. 100 mm= 5 - 15 mm)

Semi finished stock

Wendt Art.no: 10dig.

SN.Art.no: 6dig.	Wendt description:	Fepa:	Dimensions:	Rim:	Angle:	Specification:
NaxoFlute - 1V1 - Ø 150 mm						
B15A. 352.752	150-10/25°-10-D64-NaxoFlute-20/E	1V1	150x10x20	150-10-10	25°	D64 NaxoFlute /E
B15A. 352.753	150-10/25°-10-D64-NaxoFlute-31,75/E	1V1	150x10x31.75	150-10-10	25°	D64 NaxoFlute /E
B15A. 352.754	150-10/30°-10-D64-NaxoFlute-20/E	1V1	150x10x20	150-10-10	30°	D64 NaxoFlute /E
B15A. 352.755	150-10/30°-10-D64-NaxoFlute-31,75/E	1V1	150x10x31.75	150-10-10	30°	D64 NaxoFlute /E
B15A. 352.756	150-12/5°-10-D64-NaxoFlute-20/E	1V1	150x12x20	150-12-10	5°	D64 NaxoFlute /E
B15A. 352.757	150-12/5°-10-D64-NaxoFlute-31,75/E	1V1	150x12x31.75	150-12-10	5°	D64 NaxoFlute /E
B15A. 352.758	150-12/10°-10-D64-NaxoFlute-20/E	1V1	150x12x20	150-12-10	10°	D64 NaxoFlute /E
B15A. 352.759	150-12/10°-10-D64-NaxoFlute-31,75/E	1V1	150x12x31.75	150-12-10	10°	D64 NaxoFlute /E
B15A. 352.760	150-12/15°-10-D64-NaxoFlute-20/E	1V1	150x12x20	150-12-10	15°	D64 NaxoFlute /E
B15A. 352.761	150-12/15°-10-D64-NaxoFlute-31,75/E	1V1	150x12x31.75	150-12-10	15°	D64 NaxoFlute /E
B15A. 352.762	150-12/20°-10-D64-NaxoFlute-20/E	1V1	150x12x20	150-12-10	20°	D64 NaxoFlute /E
B15A. 352.763	150-12/20°-10-D64-NaxoFlute-31,75/E	1V1	150x12x31.75	150-12-10	20°	D64 NaxoFlute /E
B15A. 352.764	150-12/25°-10-D64-NaxoFlute-20/E	1V1	150x12x20	150-12-10	25°	D64 NaxoFlute /E
B15A. 352.765	150-12/25°-10-D64-NaxoFlute-31,75/E	1V1	150x12x31.75	150-12-10	25°	D64 NaxoFlute /E
B15A. 352.766	150-12/30°-10-D64-NaxoFlute-20/E	1V1	150x12x20	150-12-10	30°	D64 NaxoFlute /E
B15A. 352.767	150-12/30°-10-D64-NaxoFlute-31,75/E	1V1	150x12x31.75	150-12-10	30°	D64 NaxoFlute /E
B15A. 355.371	150-16/5°-10-D64-NaxoFlute-20/E	1V1	150x16x20	150-16-10	5°	D64 NaxoFlute /E
B15A. 355.372	150-16/5°-10-D64-NaxoFlute-31,75/E	1V1	150x16x31.75	150-16-10	5°	D64 NaxoFlute /E
B15A. 355.373	150-16/10°-10-D64-NaxoFlute-20/E	1V1	150x16x20	150-16-10	10°	D64 NaxoFlute /E
B15A. 352.622	150-16/10°-10-D64-NaxoFlute-31,75/E	1V1	150x16x31.75	150-16-10	10°	D64 NaxoFlute /E
B15A. 355.374	150-16/15°-10-D64-NaxoFlute-20/E	1V1	150x16x20	150-16-10	15°	D64 NaxoFlute /E
B15A. 355.375	150-16/15°-10-D64-NaxoFlute-31,75/E	1V1	150x16x31.75	150-16-10	15°	D64 NaxoFlute /E
B15A. 355.376	150-16/20°-10-D64-NaxoFlute-20/E	1V1	150x16x20	150-16-10	20°	D64 NaxoFlute /E
B15A. 355.377	150-16/20°-10-D64-NaxoFlute-31,75/E	1V1	150x16x31.75	150-16-10	20°	D64 NaxoFlute /E
B15A. 355.378	150-16/25°-10-D64-NaxoFlute-20/E	1V1	150x16x20	150-16-10	25°	D64 NaxoFlute /E
B15A. 355.379	150-16/25°-10-D64-NaxoFlute-31,75/E	1V1	150x16x31.75	150-16-10	25°	D64 NaxoFlute /E
B15A. 355.380	150-16/30°-10-D64-NaxoFlute-20/E	1V1	150x16x20	150-16-10	30°	D64 NaxoFlute /E
B15A. 351.587	150-16/30°-10-D64-NaxoFlute-31,75/E	1V1	150x16x31.75	150-16-10	30°	D64 NaxoFlute /E

Explanations:

NaxoFlute /E Standard NaxoFlute with best formholding. Steel core.

As only the core is in stock, the specification can be changed. Delivery time appx: 12 workdays.

Price according to pricecalculation program. Semistock - 3 pc price (Changes as framework +5%)

Framework for possible changes in the semifinished stockwheels

Grit size: 46, 64, 91
Angle (1V1): 0 - 30 degrees (Beta)
T - measure: 5 - 16 mm (diam. 100 mm= 5 - 15 mm)

Semi finished stock

Wendt Art.no: 10dig.

SN.Art.no: 6dig.	Wendt description:	Fepa:	Dimensions:	Rim:	Angle:	Specification:
NaxoFlute M - 1A1 - Ø 100 mm						
B10A. 351.846	100-10-10-D64-NaxoFluteM-20/E	1A1	100x10x20	100-10-10		D64 NaxoFluteM /E
B10A. 352.781	100-10-10-D64-NaxoFluteM-31,75/E	1A1	100x10x31.75	100-10-10		D64 NaxoFluteM /E
B10A. 350.707	100-12-10-D64-NaxoFluteM-20/E	1A1	100x12x20	100-12-10		D64 NaxoFluteM /E
B10A. 352.782	100-12-10-D64-NaxoFluteM-31,75/E	1A1	100x12x31.75	100-12-10		D64 NaxoFluteM /E
NaxoFlute M - 1A1 - 125 mm						
B10A. 352.591	125-10-10-D64-NaxoFluteM-20/E	1A1	125x10x20	125-10-10		D64 NaxoFluteM /E
B10A. 352.786	125-10-10-D64-NaxoFluteM-31,75/E	1A1	125x10x31.75	125-10-10		D64 NaxoFluteM /E
B10A. 352.787	125-12-10-D64-NaxoFluteM-20/E	1A1	125x12x20	125-12-10		D64 NaxoFluteM /E
B10A. 352.788	125-12-10-D64-NaxoFluteM-31,75/E	1A1	125x12x31.75	125-12-10		D64 NaxoFluteM /E
NaxoFlute M - 1A1 - Ø 150 mm						
B10A. 355.349	150-10-10-D64-NaxoFluteM-20/E	1A1	150x10x20	150-10-10		D64 NaxoFluteM /E
B10A. 355.350	150-10-10-D64-NaxoFluteM-31,75/E	1A1	150x10x31.75	150-10-10		D64 NaxoFluteM /E
B10A. 355.351	150-12-10-D64-NaxoFluteM-20/E	1A1	150x12x20	150-12-10		D64 NaxoFluteM /E
B10A. 352.931	150-12-10-D64-NaxoFluteM-31,75/E	1A1	150x12x31.75	150-12-10		D64 NaxoFluteM /E
NaxoFlute M - 1V1 - Ø 100 mm						
B15A. 355.221	100-10/5°-10-D64-NaxoFluteM-20/E	1V1	100x10x20	100-10-10	5°	D64 NaxoFluteM /E
B15A. 355.222	100-10/5°-10-D64-NaxoFluteM-31,75/E	1V1	100x10x31.75	100-10-10	5°	D64 NaxoFluteM /E
B15A. 355.223	100-10/10°-10-D64-NaxoFluteM-20/E	1V1	100x10x20	100-10-10	10°	D64 NaxoFluteM /E
B15A. 355.224	100-10/10°-10-D64-NaxoFluteM-31,75/E	1V1	100x10x31.75	100-10-10	10°	D64 NaxoFluteM /E
B15A. 355.225	100-10/15°-10-D64-NaxoFluteM-20/E	1V1	100x10x20	100-10-10	15°	D64 NaxoFluteM /E
B15A. 355.226	100-10/15°-10-D64-NaxoFluteM-31,75/E	1V1	100x10x31.75	100-10-10	15°	D64 NaxoFluteM /E
B15A. 355.227	100-10/20°-10-D64-NaxoFluteM-20/E	1V1	100x10x20	100-10-10	20°	D64 NaxoFluteM /E
B15A. 355.228	100-10/20°-10-D64-NaxoFluteM-31,75/E	1V1	100x10x31.75	100-10-10	20°	D64 NaxoFluteM /E
B15A. 355.229	100-10/25°-10-D64-NaxoFluteM-20/E	1V1	100x10x20	100-10-10	25°	D64 NaxoFluteM /E
B15A. 355.230	100-10/25°-10-D64-NaxoFluteM-31,75/E	1V1	100x10x31.75	100-10-10	25°	D64 NaxoFluteM /E
B15A. 355.231	100-10/30°-10-D64-NaxoFluteM-20/E	1V1	100x10x20	100-10-10	30°	D64 NaxoFluteM /E
B15A. 355.232	100-10/30°-10-D64-NaxoFluteM-31,75/E	1V1	100x10x31.75	100-10-10	30°	D64 NaxoFluteM /E
B15A. 355.233	100-12/5°-10-D64-NaxoFluteM-20/E	1V1	100x12x20	100-12-10	5°	D64 NaxoFluteM /E
B15A. 355.234	100-12/5°-10-D64-NaxoFluteM-31,75/E	1V1	100x12x31.75	100-12-10	5°	D64 NaxoFluteM /E
B15A. 355.235	100-12/10°-10-D64-NaxoFluteM-20/E	1V1	100x12x20	100-12-10	10°	D64 NaxoFluteM /E
B15A. 355.236	100-12/10°-10-D64-NaxoFluteM-31,75/E	1V1	100x12x31.75	100-12-10	10°	D64 NaxoFluteM /E
B15A. 355.237	100-12/15°-10-D64-NaxoFluteM-20/E	1V1	100x12x20	100-12-10	15°	D64 NaxoFluteM /E
B15A. 355.238	100-12/15°-10-D64-NaxoFluteM-31,75/E	1V1	100x12x31.75	100-12-10	15°	D64 NaxoFluteM /E

Explanations:

NaxoFlute M /E NaxoFlute M -softer for bigger contact area/small machine. Steel core.

As only the core is in stock, the specification can be changed. Delivery time appx: 12 workdays.

Price according to pricecalculation program. Semistock - 3 pc price (Changes as framework +5%)

Framework for possible changes in the semifinished stockwheels

Grit size: 46, 64, 91
Angle (1V1): 0 - 30 degrees (Beta)
T - measure: 5 - 16 mm (diam. 100 mm= 5 - 15 mm)

Semi finished stock

Wendt Art.no: 10dig.

SN.Art.no: 6dig.	Wendt description:	Fepa:	Dimensions:	Rim:	Angle:	Specification:
NaxoFlute M - 1V1 Ø 100 mm						
B15A. 351.487	100-12/20°-10-D64-NaxoFluteM-20/E	1V1	100x12x20	100-12-10	20°	D64 NaxoFluteM /E
B15A. 355.239	100-12/20°-10-D64-NaxoFluteM-31,75/E	1V1	100x12x31.75	100-12-10	20°	D64 NaxoFluteM /E
B15A. 355.240	100-12/25°-10-D64-NaxoFluteM-20/E	1V1	100x12x20	100-12-10	25°	D64 NaxoFluteM /E
B15A. 355.241	100-12/25°-10-D64-NaxoFluteM-31,75/E	1V1	100x12x31.75	100-12-10	25°	D64 NaxoFluteM /E
B15A. 355.242	100-12/30°-10-D64-NaxoFluteM-20/E	1V1	100x12x20	100-12-10	30°	D64 NaxoFluteM /E
B15A. 355.243	100-12/30°-10-D64-NaxoFluteM-31,75/E	1V1	100x12x31.75	100-12-10	30°	D64 NaxoFluteM /E
B15A. 353.545	100-15/5°-10-D64-NaxoFluteM-20/E	1V1	100x15x20	100-15-10	5°	D64 NaxoFluteM /E
B15A. 353.546	100-15/5°-10-D64-NaxoFluteM-31,75/E	1V1	100x15x31.75	100-15-10	5°	D64 NaxoFluteM /E
B15A. 353.547	100-15/10°-10-D64-NaxoFluteM-20/E	1V1	100x15x20	100-15-10	10°	D64 NaxoFluteM /E
B15A. 353.548	100-15/10°-10-D64-NaxoFluteM-31,75/E	1V1	100x15x31.75	100-15-10	10°	D64 NaxoFluteM /E
B15A. 353.549	100-15/15°-10-D64-NaxoFluteM-20/E	1V1	100x15x20	100-15-10	15°	D64 NaxoFluteM /E
B15A. 353.550	100-15/15°-10-D64-NaxoFluteM-31,75/E	1V1	100x15x31.75	100-15-10	15°	D64 NaxoFluteM /E
B15A. 353.551	100-15/20°-10-D64-NaxoFluteM-20/E	1V1	100x15x20	100-15-10	20°	D64 NaxoFluteM /E
B15A. 353.552	100-15/20°-10-D64-NaxoFluteM-31,75/E	1V1	100x15x31.75	100-15-10	20°	D64 NaxoFluteM /E
B15A. 353.553	100-15/25°-10-D64-NaxoFluteM-20/E	1V1	100x15x20	100-15-10	25°	D64 NaxoFluteM /E
B15A. 353.554	100-15/25°-10-D64-NaxoFluteM-31,75/E	1V1	100x15x31.75	100-15-10	25°	D64 NaxoFluteM /E
B15A. 353.555	100-15/30°-10-D64-NaxoFluteM-20/E	1V1	100x15x20	100-15-10	30°	D64 NaxoFluteM /E
B15A. 353.556	100-15/30°-10-D64-NaxoFluteM-31,75/E	1V1	100x15x31.75	100-15-10	30°	D64 NaxoFluteM /E
NaxoFlute M 1V1 - Ø 125 mm						
B15A. 355.244	125-10/5°-10-D64-NaxoFluteM-20/E	1V1	125x10x20	125-10-10	5°	D64 NaxoFluteM /E
B15A. 355.245	125-10/5°-10-D64-NaxoFluteM-31,75/E	1V1	125x10x31.75	125-10-10	5°	D64 NaxoFluteM /E
B15A. 355.246	125-10/10°-10-D64-NaxoFluteM-20/E	1V1	125x10x20	125-10-10	10°	D64 NaxoFluteM /E
B15A. 355.247	125-10/10°-10-D64-NaxoFluteM-31,75/E	1V1	125x10x31.75	125-10-10	10°	D64 NaxoFluteM /E
B15A. 355.248	125-10/15°-10-D64-NaxoFluteM-20/E	1V1	125x10x20	125-10-10	15°	D64 NaxoFluteM /E
B15A. 355.249	125-10/15°-10-D64-NaxoFluteM-31,75/E	1V1	125x10x31.75	125-10-10	15°	D64 NaxoFluteM /E
B15A. 355.250	125-10/20°-10-D64-NaxoFluteM-20/E	1V1	125x10x20	125-10-10	20°	D64 NaxoFluteM /E
B15A. 355.251	125-10/20°-10-D64-NaxoFluteM-31,75/E	1V1	125x10x31.75	125-10-10	20°	D64 NaxoFluteM /E
B15A. 355.252	125-10/25°-10-D64-NaxoFluteM-20/E	1V1	125x10x20	125-10-10	25°	D64 NaxoFluteM /E
B15A. 355.253	125-10/25°-10-D64-NaxoFluteM-31,75/E	1V1	125x10x31.75	125-10-10	25°	D64 NaxoFluteM /E
B15A. 355.254	125-10/30°-10-D64-NaxoFluteM-20/E	1V1	125x10x20	125-10-10	30°	D64 NaxoFluteM /E
B15A. 355.255	125-10/30°-10-D64-NaxoFluteM-31,75/E	1V1	125x10x31.75	125-10-10	30°	D64 NaxoFluteM /E

Explanations:

NaxoFlute M /E NaxoFlute M -softer for bigger contact area/small machine. Steel core.

As only the core is in stock, the specification can be changed. Delivery time appx: 12 workdays.

Price according to pricecalculation program. Semistock - 3 pc price (Changes as framework +5%)

Framework for possible changes in the semifinished stockwheels

Grit size: 46, 64, 91

Angle (1V1): 0 - 30 degrees (Beta)

T - measure: 5 - 16 mm (diam. 100 mm= 5 - 15 mm)

Semi finished stock

Wendt Art.no: 10dig.

SN.Art.no: 6dig.	Wendt description:	Fepa:	Dimensions:	Rim:	Angle:	Specification:
NaxoFlute M - 1V1 - Ø 125 mm						
B15A. 355.256	125-12/5°-10-D64-NaxoFluteM-20/E	1V1	125x12x20	125-12-10	5°	D64 NaxoFluteM /E
B15A. 355.257	125-12/5°-10-D64-NaxoFluteM-31,75/E	1V1	125x12x31.75	125-12-10	5°	D64 NaxoFluteM /E
B15A. 355.258	125-12/10°-10-D64-NaxoFluteM-20/E	1V1	125x12x20	125-12-10	10°	D64 NaxoFluteM /E
B15A. 355.259	125-12/10°-10-D64-NaxoFluteM-31,75/E	1V1	125x12x31.75	125-12-10	10°	D64 NaxoFluteM /E
B15A. 354.678	125-12/15°-10-D64-NaxoFluteM-20/E	1V1	125x12x20	125-12-10	15°	D64 NaxoFluteM /E
B15A. 351.727	125-12/15°-10-D64-NaxoFluteM-31,75/E	1V1	125x12x31.75	125-12-10	15°	D64 NaxoFluteM /E
B15A. 355.260	125-12/20°-10-D64-NaxoFluteM-20/E	1V1	125x12x20	125-12-10	20°	D64 NaxoFluteM /E
B15A. 355.261	125-12/20°-10-D64-NaxoFluteM-31,75/E	1V1	125x12x31.75	125-12-10	20°	D64 NaxoFluteM /E
B15A. 355.262	125-12/25°-10-D64-NaxoFluteM-20/E	1V1	125x12x20	125-12-10	25°	D64 NaxoFluteM /E
B15A. 355.263	125-12/25°-10-D64-NaxoFluteM-31,75/E	1V1	125x12x31.75	125-12-10	25°	D64 NaxoFluteM /E
B15A. 355.264	125-12/30°-10-D64-NaxoFluteM-20/E	1V1	125x12x20	125-12-10	30°	D64 NaxoFluteM /E
B15A. 355.265	125-12/30°-10-D64-NaxoFluteM-31,75/E	1V1	125x12x31.75	125-12-10	30°	D64 NaxoFluteM /E
B15A. 352.733	125-16/5°-10-D64-NaxoFluteM-20/E	1V1	125x16x20	125-16-10	5°	D64 NaxoFluteM /E
B15A. 352.734	125-16/5°-10-D64-NaxoFluteM-31,75/E	1V1	125x16x31.75	125-16-10	5°	D64 NaxoFluteM /E
B15A. 352.735	125-16/10°-10-D64-NaxoFluteM-20/E	1V1	125x16x20	125-16-10	10°	D64 NaxoFluteM /E
B15A. 352.736	125-16/10°-10-D64-NaxoFluteM-31,75/E	1V1	125x16x31.75	125-16-10	10°	D64 NaxoFluteM /E
B15A. 352.737	125-16/15°-10-D64-NaxoFluteM-20/E	1V1	125x16x20	125-16-10	15°	D64 NaxoFluteM /E
B15A. 352.738	125-16/15°-10-D64-NaxoFluteM-31,75/E	1V1	125x16x31.75	125-16-10	15°	D64 NaxoFluteM /E
B15A. 352.739	125-16/20°-10-D64-NaxoFluteM-20/E	1V1	125x16x20	125-16-10	20°	D64 NaxoFluteM /E
B15A. 352.740	125-16/20°-10-D64-NaxoFluteM-31,75/E	1V1	125x16x31.75	125-16-10	20°	D64 NaxoFluteM /E
B15A. 352.741	125-16/25°-10-D64-NaxoFluteM-20/E	1V1	125x16x20	125-16-10	25°	D64 NaxoFluteM /E
B15A. 352.742	125-16/25°-10-D64-NaxoFluteM-31,75/E	1V1	125x16x31.75	125-16-10	25°	D64 NaxoFluteM /E
B15A. 352.743	125-16/30°-10-D64-NaxoFluteM-20/E	1V1	125x16x20	125-16-10	30°	D64 NaxoFluteM /E
B15A. 352.744	125-16/30°-10-D64-NaxoFluteM-31,75/E	1V1	125x16x31.75	125-16-10	30°	D64 NaxoFluteM /E

NaxoFlute M - 1V1 - Ø 150 mm

B15A. 355.266	150-10/5°-10-D64-NaxoFluteM-20/E	1V1	150x10x20	150-10-10	5°	D64 NaxoFluteM /E
B15A. 355.267	150-10/5°-10-D64-NaxoFluteM-31,75/E	1V1	150x10x31.75	150-10-10	5°	D64 NaxoFluteM /E
B15A. 355.268	150-10/10°-10-D64-NaxoFluteM-20/E	1V1	150x10x20	150-10-10	10°	D64 NaxoFluteM /E
B15A. 355.269	150-10/10°-10-D64-NaxoFluteM-31,75/E	1V1	150x10x31.75	150-10-10	10°	D64 NaxoFluteM /E
B15A. 355.270	150-10/15°-10-D64-NaxoFluteM-20/E	1V1	150x10x20	150-10-10	15°	D64 NaxoFluteM /E
B15A. 355.271	150-10/15°-10-D64-NaxoFluteM-31,75/E	1V1	150x10x31.75	150-10-10	15°	D64 NaxoFluteM /E

Explanations:

NaxoFlute M /E NaxoFlute M -softer for bigger contact area/small machine. Steel core.

As only the core is in stock, the specification can be changed. Delivery time appx: 12 workdays.

Price according to pricecalculation program. Semistock - 3 pc price (Changes as framework +5%)

Framework for possible changes in the semifinished stockwheels

Grit size: 46, 64, 91
Angle (1V1): 0 - 30 degrees (Beta)
T - measure: 5 - 16 mm (diam. 100 mm= 5 - 15 mm)

Semi finished stock

Wendt Art.no: 10dig.

SN.Art.no: 6dig.	Wendt description:	Fepa:	Dimensions:	Rim:	Angle:	Specification:
NaxoFlute M - 1V1 - Ø 150 mm						
B15A. 355.272	150-10/20°-10-D64-NaxoFluteM-20/E	1V1	150x10x20	150-10-10	20°	D64 NaxoFluteM /E
B15A. 355.273	150-10/20°-10-D64-NaxoFluteM-31,75/E	1V1	150x10x31.75	150-10-10	20°	D64 NaxoFluteM /E
B15A. 355.274	150-10/25°-10-D64-NaxoFluteM-20/E	1V1	150x10x20	150-10-10	25°	D64 NaxoFluteM /E
B15A. 355.275	150-10/25°-10-D64-NaxoFluteM-31,75/E	1V1	150x10x31.75	150-10-10	25°	D64 NaxoFluteM /E
B15A. 355.276	150-10/30°-10-D64-NaxoFluteM-20/E	1V1	150x10x20	150-10-10	30°	D64 NaxoFluteM /E
B15A. 355.277	150-10/30°-10-D64-NaxoFluteM-31,75/E	1V1	150x10x31.75	150-10-10	30°	D64 NaxoFluteM /E
B15A. 355.278	150-12/5°-10-D64-NaxoFluteM-20/E	1V1	150x12x20	150-12-10	5°	D64 NaxoFluteM /E
B15A. 355.279	150-12/5°-10-D64-NaxoFluteM-31,75/E	1V1	150x12x31.75	150-12-10	5°	D64 NaxoFluteM /E
B15A. 355.280	150-12/10°-10-D64-NaxoFluteM-20/E	1V1	150x12x20	150-12-10	10°	D64 NaxoFluteM /E
B15A. 355.281	150-12/10°-10-D64-NaxoFluteM-31,75/E	1V1	150x12x31.75	150-12-10	10°	D64 NaxoFluteM /E
B15A. 355.282	150-12/15°-10-D64-NaxoFluteM-20/E	1V1	150x12x20	150-12-10	15°	D64 NaxoFluteM /E
B15A. 355.283	150-12/15°-10-D64-NaxoFluteM-31,75/E	1V1	150x12x31.75	150-12-10	15°	D64 NaxoFluteM /E
B15A. 355.284	150-12/20°-10-D64-NaxoFluteM-20/E	1V1	150x12x20	150-12-10	20°	D64 NaxoFluteM /E
B15A. 355.285	150-12/20°-10-D64-NaxoFluteM-31,75/E	1V1	150x12x31.75	150-12-10	20°	D64 NaxoFluteM /E
B15A. 355.286	150-12/25°-10-D64-NaxoFluteM-20/E	1V1	150x12x20	150-12-10	25°	D64 NaxoFluteM /E
B15A. 355.287	150-12/25°-10-D64-NaxoFluteM-31,75/E	1V1	150x12x31.75	150-12-10	25°	D64 NaxoFluteM /E
B15A. 355.288	150-12/30°-10-D64-NaxoFluteM-20/E	1V1	150x12x20	150-12-10	30°	D64 NaxoFluteM /E
B15A. 355.289	150-12/30°-10-D64-NaxoFluteM-31,75/E	1V1	150x12x31.75	150-12-10	30°	D64 NaxoFluteM /E
B15A. 352.768	150-16/5°-10-D64-NaxoFluteM-20/E	1V1	150x16x20	150-16-10	5°	D64 NaxoFluteM /E
B15A. 352.769	150-16/5°-10-D64-NaxoFluteM-31,75/E	1V1	150x16x31.75	150-16-10	5°	D64 NaxoFluteM /E
B15A. 352.770	150-16/10°-10-D64-NaxoFluteM-20/E	1V1	150x16x20	150-16-10	10°	D64 NaxoFluteM /E
B15A. 352.771	150-16/10°-10-D64-NaxoFluteM-31,75/E	1V1	150x16x31.75	150-16-10	10°	D64 NaxoFluteM /E
B15A. 352.772	150-16/15°-10-D64-NaxoFluteM-20/E	1V1	150x16x20	150-16-10	15°	D64 NaxoFluteM /E
B15A. 352.773	150-16/15°-10-D64-NaxoFluteM-31,75/E	1V1	150x16x31.75	150-16-10	15°	D64 NaxoFluteM /E
B15A. 352.774	150-16/20°-10-D64-NaxoFluteM-20/E	1V1	150x16x20	150-16-10	20°	D64 NaxoFluteM /E
B15A. 352.775	150-16/20°-10-D64-NaxoFluteM-31,75/E	1V1	150x16x31.75	150-16-10	20°	D64 NaxoFluteM /E
B15A. 352.776	150-16/25°-10-D64-NaxoFluteM-20/E	1V1	150x16x20	150-16-10	25°	D64 NaxoFluteM /E
B15A. 352.777	150-16/25°-10-D64-NaxoFluteM-31,75/E	1V1	150x16x31.75	150-16-10	25°	D64 NaxoFluteM /E
B15A. 352.778	150-16/30°-10-D64-NaxoFluteM-20/E	1V1	150x16x20	150-16-10	30°	D64 NaxoFluteM /E
B15A. 352.779	150-16/30°-10-D64-NaxoFluteM-31,75/E	1V1	150x16x31.75	150-16-10	30°	D64 NaxoFluteM /E

Explanations:

NaxoFlute M /E NaxoFlute M -softer for bigger contact area/small machine. Steel core.

As only the core is in stock, the specification can be changed. Delivery time appx: 12 workdays.

Price according to pricecalculation program. Semistock - 3 pc price (Changes as framework +5%)

Framework for possible changes in the semifinished stockwheels

Grit size: 46, 64, 91
Angle (1V1): 0 - 30 degrees (Beta)
T - measure: 5 - 16 mm (diam. 100 mm= 5 - 15 mm)

Semi finished stock

Wendt Art.no: 10dig.

SN.Art.no: 6dig.	Wendt description:	Fepa:	Dimensions:	Rim:	Angle:	Specification:
NaxoFlute EZ - 1V1 - Ø 100 mm						
B15A. 355.125	100-10/5°-10-D64-NaxoFluteEZ-20/E	1V1	100x10x20	100-10-10	5°	D64 NaxoFluteEZ /E
B15A. 355.126	100-10/5°-10-D64-NaxoFluteEZ-31,75/E	1V1	100x10x31.75	100-10-10	5°	D64 NaxoFluteEZ /E
B15A. 355.127	100-10/10°-10-D64-NaxoFluteEZ-20/E	1V1	100x10x20	100-10-10	10°	D64 NaxoFluteEZ /E
B15A. 355.128	100-10/10°-10-D64-NaxoFluteEZ-31,75/E	1V1	100x10x31.75	100-10-10	10°	D64 NaxoFluteEZ /E
B15A. 355.129	100-10/15°-10-D64-NaxoFluteEZ-20/E	1V1	100x10x20	100-10-10	15°	D64 NaxoFluteEZ /E
B15A. 355.130	100-10/15°-10-D64-NaxoFluteEZ-31,75/E	1V1	100x10x31.75	100-10-10	15°	D64 NaxoFluteEZ /E
B15A. 355.131	100-10/20°-10-D64-NaxoFluteEZ-20/E	1V1	100x10x20	100-10-10	20°	D64 NaxoFluteEZ /E
B15A. 355.132	100-10/20°-10-D64-NaxoFluteEZ-31,75/E	1V1	100x10x31.75	100-10-10	20°	D64 NaxoFluteEZ /E
B15A. 355.133	100-10/25°-10-D64-NaxoFluteEZ-20/E	1V1	100x10x20	100-10-10	25°	D64 NaxoFluteEZ /E
B15A. 355.134	100-10/25°-10-D64-NaxoFluteEZ-31,75/E	1V1	100x10x31.75	100-10-10	25°	D64 NaxoFluteEZ /E
B15A. 355.135	100-10/30°-10-D64-NaxoFluteEZ-20/E	1V1	100x10x20	100-10-10	30°	D64 NaxoFluteEZ /E
B15A. 355.136	100-10/30°-10-D64-NaxoFluteEZ-31,75/E	1V1	100x10x31.75	100-10-10	30°	D64 NaxoFluteEZ /E
B15A. 355.137	100-12/5°-10-D64-NaxoFluteEZ-20/E	1V1	100x12x20	100-12-10	5°	D64 NaxoFluteEZ /E
B15A. 355.138	100-12/5°-10-D64-NaxoFluteEZ-31,75/E	1V1	100x12x31.75	100-12-10	5°	D64 NaxoFluteEZ /E
B15A. 355.139	100-12/10°-10-D64-NaxoFluteEZ-20/E	1V1	100x12x20	100-12-10	10°	D64 NaxoFluteEZ /E
B15A. 355.140	100-12/10°-10-D64-NaxoFluteEZ-31,75/E	1V1	100x12x31.75	100-12-10	10°	D64 NaxoFluteEZ /E
B15A. 355.141	100-12/15°-10-D64-NaxoFluteEZ-20/E	1V1	100x12x20	100-12-10	15°	D64 NaxoFluteEZ /E
B15A. 355.142	100-12/15°-10-D64-NaxoFluteEZ-31,75/E	1V1	100x12x31.75	100-12-10	15°	D64 NaxoFluteEZ /E
B15A. 355.143	100-12/20°-10-D64-NaxoFluteEZ-20/E	1V1	100x12x20	100-12-10	20°	D64 NaxoFluteEZ /E
B15A. 355.144	100-12/20°-10-D64-NaxoFluteEZ-31,75/E	1V1	100x12x31.75	100-12-10	20°	D64 NaxoFluteEZ /E
B15A. 355.145	100-12/25°-10-D64-NaxoFluteEZ-20/E	1V1	100x12x20	100-12-10	25°	D64 NaxoFluteEZ /E
B15A. 355.146	100-12/25°-10-D64-NaxoFluteEZ-31,75/E	1V1	100x12x31.75	100-12-10	25°	D64 NaxoFluteEZ /E
B15A. 355.147	100-12/30°-10-D64-NaxoFluteEZ-20/E	1V1	100x12x20	100-12-10	30°	D64 NaxoFluteEZ /E
B15A. 355.148	100-12/30°-10-D64-NaxoFluteEZ-31,75/E	1V1	100x12x31.75	100-12-10	30°	D64 NaxoFluteEZ /E
B15A. 355.149	100-15/5°-10-D64-NaxoFluteEZ-20/E	1V1	100x15x20	100-15-10	5°	D64 NaxoFluteEZ /E
B15A. 355.150	100-15/5°-10-D64-NaxoFluteEZ-31,75/E	1V1	100x15x31.75	100-15-10	5°	D64 NaxoFluteEZ /E
B15A. 355.151	100-15/10°-10-D64-NaxoFluteEZ-20/E	1V1	100x15x20	100-15-10	10°	D64 NaxoFluteEZ /E
B15A. 355.152	100-15/10°-10-D64-NaxoFluteEZ-31,75/E	1V1	100x15x31.75	100-15-10	10°	D64 NaxoFluteEZ /E
B15A. 355.153	100-15/15°-10-D64-NaxoFluteEZ-20/E	1V1	100x15x20	100-15-10	15°	D64 NaxoFluteEZ /E
B15A. 355.154	100-15/15°-10-D64-NaxoFluteEZ-31,75/E	1V1	100x15x31.75	100-15-10	15°	D64 NaxoFluteEZ /E

Explanations:

NaxoFlute EZ/E Softer and more freecutting wheel. For bigger feedrates and automatic production lines.

As only the core is in stock, the specification can be changed. Delivery time appx: 12 workdays.

Price according to pricecalculation program. Semistock - 3 pc price (Changes as framework +5%)

Framework for possible changes in the semifinished stockwheels

Grit size: 46, 64, 91
Angle (1V1): 0 - 30 degrees (Beta)
T - measure: 5 - 16 mm (diam. 100 mm= 5 - 15 mm)

Semi finished stock

Wendt Art.no: 10dig.

SN.Art.no: 6dig.	Wendt description:	Fepa:	Dimensions:	Rim:	Angle:	Specification:
NaxoFlute EZ - 1V1 - Ø 100 mm						
B15A. 355.155	100-15/20°-10-D64-NaxoFluteEZ-20/E	1V1	100x15x20	100-15-10	20°	D64 NaxoFluteEZ /E
B15A. 355.156	100-15/20°-10-D64-NaxoFluteEZ-31,75/E	1V1	100x15x31.75	100-15-10	20°	D64 NaxoFluteEZ /E
B15A. 355.157	100-15/25°-10-D64-NaxoFluteEZ-20/E	1V1	100x15x20	100-15-10	25°	D64 NaxoFluteEZ /E
B15A. 355.158	100-15/25°-10-D64-NaxoFluteEZ-31,75/E	1V1	100x15x31.75	100-15-10	25°	D64 NaxoFluteEZ /E
B15A. 355.159	100-15/30°-10-D64-NaxoFluteEZ-20/E	1V1	100x15x20	100-15-10	30°	D64 NaxoFluteEZ /E
B15A. 355.160	100-15/30°-10-D64-NaxoFluteEZ-31,75/E	1V1	100x15x31.75	100-15-10	30°	D64 NaxoFluteEZ /E
NaxoFlute EZ - 1V1 - 125 mm						
B15A. 355.161	125-10/5°-10-D64-NaxoFluteEZ-20/E	1V1	125x10x20	125-10-10	5°	D64 NaxoFluteEZ /E
B15A. 355.162	125-10/5°-10-D64-NaxoFluteEZ-31,75/E	1V1	125x10x31.75	125-10-10	5°	D64 NaxoFluteEZ /E
B15A. 355.163	125-10/10°-10-D64-NaxoFluteEZ-20/E	1V1	125x10x20	125-10-10	10°	D64 NaxoFluteEZ /E
B15A. 355.164	125-10/10°-10-D64-NaxoFluteEZ-31,75/E	1V1	125x10x31.75	125-10-10	10°	D64 NaxoFluteEZ /E
B15A. 355.165	125-10/15°-10-D64-NaxoFluteEZ-20/E	1V1	125x10x20	125-10-10	15°	D64 NaxoFluteEZ /E
B15A. 355.166	125-10/15°-10-D64-NaxoFluteEZ-31,75/E	1V1	125x10x31.75	125-10-10	15°	D64 NaxoFluteEZ /E
B15A. 355.167	125-10/20°-10-D64-NaxoFluteEZ-20/E	1V1	125x10x20	125-10-10	20°	D64 NaxoFluteEZ /E
B15A. 355.168	125-10/20°-10-D64-NaxoFluteEZ-31,75/E	1V1	125x10x31.75	125-10-10	20°	D64 NaxoFluteEZ /E
B15A. 355.169	125-10/25°-10-D64-NaxoFluteEZ-20/E	1V1	125x10x20	125-10-10	25°	D64 NaxoFluteEZ /E
B15A. 355.170	125-10/25°-10-D64-NaxoFluteEZ-31,75/E	1V1	125x10x31.75	125-10-10	25°	D64 NaxoFluteEZ /E
B15A. 355.171	125-10/30°-10-D64-NaxoFluteEZ-20/E	1V1	125x10x20	125-10-10	30°	D64 NaxoFluteEZ /E
B15A. 355.172	125-10/30°-10-D64-NaxoFluteEZ-31,75/E	1V1	125x10x31.75	125-10-10	30°	D64 NaxoFluteEZ /E
B15A. 355.173	125-12/5°-10-D64-NaxoFluteEZ-20/E	1V1	125x12x20	125-12-10	5°	D64 NaxoFluteEZ /E
B15A. 355.174	125-12/5°-10-D64-NaxoFluteEZ-31,75/E	1V1	125x12x31.75	125-12-10	5°	D64 NaxoFluteEZ /E
B15A. 355.175	125-12/10°-10-D64-NaxoFluteEZ-20/E	1V1	125x12x20	125-12-10	10°	D64 NaxoFluteEZ /E
B15A. 355.176	125-12/10°-10-D64-NaxoFluteEZ-31,75/E	1V1	125x12x31.75	125-12-10	10°	D64 NaxoFluteEZ /E
B15A. 355.177	125-12/15°-10-D64-NaxoFluteEZ-20/E	1V1	125x12x20	125-12-10	15°	D64 NaxoFluteEZ /E
B15A. 355.178	125-12/15°-10-D64-NaxoFluteEZ-31,75/E	1V1	125x12x31.75	125-12-10	15°	D64 NaxoFluteEZ /E
B15A. 355.179	125-12/20°-10-D64-NaxoFluteEZ-20/E	1V1	125x12x20	125-12-10	20°	D64 NaxoFluteEZ /E
B15A. 355.180	125-12/20°-10-D64-NaxoFluteEZ-31,75/E	1V1	125x12x31.75	125-12-10	20°	D64 NaxoFluteEZ /E
B15A. 355.181	125-12/25°-10-D64-NaxoFluteEZ-20/E	1V1	125x12x20	125-12-10	25°	D64 NaxoFluteEZ /E
B15A. 355.182	125-12/25°-10-D64-NaxoFluteEZ-31,75/E	1V1	125x12x31.75	125-12-10	25°	D64 NaxoFluteEZ /E
B15A. 355.183	125-12/30°-10-D64-NaxoFluteEZ-20/E	1V1	125x12x20	125-12-10	30°	D64 NaxoFluteEZ /E
B15A. 355.184	125-12/30°-10-D64-NaxoFluteEZ-31,75/E	1V1	125x12x31.75	125-12-10	30°	D64 NaxoFluteEZ /E

Explanations:

NaxoFlute EZ/E Softer and more freecutting wheel. For bigger feedrates and automatic production lines.

As only the core is in stock, the specification can be changed. Delivery time appx: 12 workdays.

Price according to pricecalculation program. Semistock - 3 pc price (Changes as framework +5%)

Framework for possible changes in the semifinished stockwheels

Grit size: 46, 64, 91
Angle (1V1): 0 - 30 degrees (Beta)
T - measure: 5 - 16 mm (diam. 100 mm= 5 - 15 mm)

Semi finished stock

Wendt Art.no: 10dig.

SN.Art.no: 6dig.	Wendt description:	Fepa:	Dimensions:	Rim:	Angle:	Specification:
NaxoFlute EZ - 1V1 - 125 mm						
B15A. 355.185	125-16/5°-10-D64-NaxoFluteEZ-20/E	1V1	125x16x20	125-16-10	5°	D64 NaxoFluteEZ /E
B15A. 355.186	125-16/5°-10-D64-NaxoFluteEZ-31,75/E	1V1	125x16x31.75	125-16-10	5°	D64 NaxoFluteEZ /E
B15A. 355.187	125-16/10°-10-D64-NaxoFluteEZ-20/E	1V1	125x16x20	125-16-10	10°	D64 NaxoFluteEZ /E
B15A. 355.188	125-16/10°-10-D64-NaxoFluteEZ-31,75/E	1V1	125x16x31.75	125-16-10	10°	D64 NaxoFluteEZ /E
B15A. 355.189	125-16/15°-10-D64-NaxoFluteEZ-20/E	1V1	125x16x20	125-16-10	15°	D64 NaxoFluteEZ /E
B15A. 355.190	125-16/15°-10-D64-NaxoFluteEZ-31,75/E	1V1	125x16x31.75	125-16-10	15°	D64 NaxoFluteEZ /E
B15A. 355.191	125-16/20°-10-D64-NaxoFluteEZ-20/E	1V1	125x16x20	125-16-10	20°	D64 NaxoFluteEZ /E
B15A. 355.192	125-16/20°-10-D64-NaxoFluteEZ-31,75/E	1V1	125x16x31.75	125-16-10	20°	D64 NaxoFluteEZ /E
B15A. 355.193	125-16/25°-10-D64-NaxoFluteEZ-20/E	1V1	125x16x20	125-16-10	25°	D64 NaxoFluteEZ /E
B15A. 355.194	125-16/25°-10-D64-NaxoFluteEZ-31,75/E	1V1	125x16x31.75	125-16-10	25°	D64 NaxoFluteEZ /E
B15A. 355.195	125-16/30°-10-D64-NaxoFluteEZ-20/E	1V1	125x16x20	125-16-10	30°	D64 NaxoFluteEZ /E
B15A. 355.196	125-16/30°-10-D64-NaxoFluteEZ-31,75/E	1V1	125x16x31.75	125-16-10	30°	D64 NaxoFluteEZ /E
NaxoFlute EZ - 1V1 - Ø 150 mm						
B15A. 355.197	150-10/5°-10-D64-NaxoFluteEZ-20/E	1V1	150x10x20	150-10-10	5°	D64 NaxoFluteEZ /E
B15A. 355.198	150-10/5°-10-D64-NaxoFluteEZ-31,75/E	1V1	150x10x31.75	150-10-10	5°	D64 NaxoFluteEZ /E
B15A. 355.199	150-10/10°-10-D64-NaxoFluteEZ-20/E	1V1	150x10x20	150-10-10	10°	D64 NaxoFluteEZ /E
B15A. 355.200	150-10/10°-10-D64-NaxoFluteEZ-31,75/E	1V1	150x10x31.75	150-10-10	10°	D64 NaxoFluteEZ /E
B15A. 355.201	150-10/15°-10-D64-NaxoFluteEZ-20/E	1V1	150x10x20	150-10-10	15°	D64 NaxoFluteEZ /E
B15A. 355.202	150-10/15°-10-D64-NaxoFluteEZ-31,75/E	1V1	150x10x31.75	150-10-10	15°	D64 NaxoFluteEZ /E
B15A. 355.203	150-10/20°-10-D64-NaxoFluteEZ-20/E	1V1	150x10x20	150-10-10	20°	D64 NaxoFluteEZ /E
B15A. 355.204	150-10/20°-10-D64-NaxoFluteEZ-31,75/E	1V1	150x10x31.75	150-10-10	20°	D64 NaxoFluteEZ /E
B15A. 355.205	150-10/25°-10-D64-NaxoFluteEZ-20/E	1V1	150x10x20	150-10-10	25°	D64 NaxoFluteEZ /E
B15A. 355.206	150-10/25°-10-D64-NaxoFluteEZ-31,75/E	1V1	150x10x31.75	150-10-10	25°	D64 NaxoFluteEZ /E
B15A. 355.207	150-10/30°-10-D64-NaxoFluteEZ-20/E	1V1	150x10x20	150-10-10	30°	D64 NaxoFluteEZ /E
B15A. 355.208	150-10/30°-10-D64-NaxoFluteEZ-31,75/E	1V1	150x10x31.75	150-10-10	30°	D64 NaxoFluteEZ /E

Explanations:

NaxoFlute EZ/E Softer and more freecutting wheel. For bigger feedrates and automatic production lines.

As only the core is in stock, the specification can be changed. Delivery time appx: 12 workdays.

Price according to pricerecalculation program. Semistock - 3 pc price (Changes as framework +5%)

Framework for possible changes in the semifinished stockwheels

Grit size: 46, 64, 91

Angle (1V1): 0 - 30 degrees (Beta)

T - measure: 5 - 16 mm (diam. 100 mm= 5 - 15 mm)

Semi finished stock

Wendt Art.no: 10dig.

SN.Art.no: 6dig.	Wendt description:	Fepa:	Dimensions:	Rim:	Angle:	Specification:
NaxoFlute EZ - 1V1 - Ø 150 mm						
B15A. 355.209	150-12/5°-10-D64-NaxoFluteEZ-20/E	1V1	150x12x20	150-12-10	5°	D64 NaxoFluteEZ /E
B15A. 355.210	150-12/5°-10-D64-NaxoFluteEZ-31,75/E	1V1	150x12x31.75	150-12-10	5°	D64 NaxoFluteEZ /E
B15A. 355.211	150-12/10°-10-D64-NaxoFluteEZ-20/E	1V1	150x12x20	150-12-10	10°	D64 NaxoFluteEZ /E
B15A. 355.212	150-12/10°-10-D64-NaxoFluteEZ-31,75/E	1V1	150x12x31.75	150-12-10	10°	D64 NaxoFluteEZ /E
B15A. 355.213	150-12/15°-10-D64-NaxoFluteEZ-20/E	1V1	150x12x20	150-12-10	15°	D64 NaxoFluteEZ /E
B15A. 355.214	150-12/15°-10-D64-NaxoFluteEZ-31,75/E	1V1	150x12x31.75	150-12-10	15°	D64 NaxoFluteEZ /E
B15A. 355.215	150-12/20°-10-D64-NaxoFluteEZ-20/E	1V1	150x12x20	150-12-10	20°	D64 NaxoFluteEZ /E
B15A. 355.216	150-12/20°-10-D64-NaxoFluteEZ-31,75/E	1V1	150x12x31.75	150-12-10	20°	D64 NaxoFluteEZ /E
B15A. 355.217	150-12/25°-10-D64-NaxoFluteEZ-20/E	1V1	150x12x20	150-12-10	25°	D64 NaxoFluteEZ /E
B15A. 355.218	150-12/25°-10-D64-NaxoFluteEZ-31,75/E	1V1	150x12x31.75	150-12-10	25°	D64 NaxoFluteEZ /E
B15A. 355.219	150-12/30°-10-D64-NaxoFluteEZ-20/E	1V1	150x12x20	150-12-10	30°	D64 NaxoFluteEZ /E
B15A. 355.220	150-12/30°-10-D64-NaxoFluteEZ-31,75/E	1V1	150x12x31.75	150-12-10	30°	D64 NaxoFluteEZ /E
B15A. 355.300	150-16/5°-10-D64-NaxoFluteEZ-20/E	1V1	150x16x20	150-16-10	5°	D64 NaxoFluteEZ /E
B15A. 355.301	150-16/5°-10-D64-NaxoFluteEZ-31,75/E	1V1	150x16x31.75	150-16-10	5°	D64 NaxoFluteEZ /E
B15A. 355.302	150-16/10°-10-D64-NaxoFluteEZ-20/E	1V1	150x16x20	150-16-10	10°	D64 NaxoFluteEZ /E
B15A. 355.303	150-16/10°-10-D64-NaxoFluteEZ-31,75/E	1V1	150x16x31.75	150-16-10	10°	D64 NaxoFluteEZ /E
B15A. 355.304	150-16/15°-10-D64-NaxoFluteEZ-20/E	1V1	150x16x20	150-16-10	15°	D64 NaxoFluteEZ /E
B15A. 355.305	150-16/15°-10-D64-NaxoFluteEZ-31,75/E	1V1	150x16x31.75	150-16-10	15°	D64 NaxoFluteEZ /E
B15A. 355.306	150-16/20°-10-D64-NaxoFluteEZ-20/E	1V1	150x16x20	150-16-10	20°	D64 NaxoFluteEZ /E
B15A. 355.307	150-16/20°-10-D64-NaxoFluteEZ-31,75/E	1V1	150x16x31.75	150-16-10	20°	D64 NaxoFluteEZ /E
B15A. 355.308	150-16/25°-10-D64-NaxoFluteEZ-20/E	1V1	150x16x20	150-16-10	25°	D64 NaxoFluteEZ /E
B15A. 355.309	150-16/25°-10-D64-NaxoFluteEZ-31,75/E	1V1	150x16x31.75	150-16-10	25°	D64 NaxoFluteEZ /E
B15A. 355.310	150-16/30°-10-D64-NaxoFluteEZ-20/E	1V1	150x16x20	150-16-10	30°	D64 NaxoFluteEZ /E
B15A. 355.311	150-16/30°-10-D64-NaxoFluteEZ-31,75/E	1V1	150x16x31.75	150-16-10	30°	D64 NaxoFluteEZ /E

Explanations:

NaxoFlute EZ/E Softer and more freecutting wheel. For bigger feedrates and automatic production lines.

As only the core is in stock, the specification can be changed. Delivery time appx: 12 workdays.

Price according to pricerecalculation program. Semistock - 3 pc price (Changes as framework +5%)

Framework for possible changes in the semifinished stockwheels

Grit size: 46, 64, 91

Angle (1V1): 0 - 30 degrees (Beta)

T - measure: 5 - 16 mm (diam. 100 mm= 5 - 15 mm)

Semi finished stock

Wendt Art.no: 10dig.

SN.Art.no: 6dig. **Wendt description:**

			Fepa:	Dimensions:	Rim:	Angle:	Specification:
NaxoFlute LP - 1A1 - Ø 100 mm							
B10A.	355.316	100-10-10-D64-NaxoFluteLP-20/E	1A1	100x10x20	100-10-10		D64 NaxoFluteLP /E
B10A.	355.317	100-10-10-D64-NaxoFluteLP-31,75/E	1A1	100x10x31.75	100-10-10		D64 NaxoFluteLP /E
B10A.	355.318	100-12-10-D64-NaxoFluteLP-20/E	1A1	100x12x20	100-12-10		D64 NaxoFluteLP /E
B10A.	355.319	100-12-10-D64-NaxoFluteLP-31,75/E	1A1	100x12x31.75	100-12-10		D64 NaxoFluteLP /E
B10A.	355.320	100-15-10-D64-NaxoFluteLP-20/E	1A1	100x15x20	100-15-10		D64 NaxoFluteLP /E
B10A.	355.321	100-15-10-D64-NaxoFluteLP-31,75/E	1A1	100x15x31.75	100-15-10		D64 NaxoFluteLP /E
NaxoFlute LP - 1A1 - Ø 125 mm							
B10A.	355.322	125-10-10-D64-NaxoFluteLP-20/E	1A1	125x10x20	125-10-10		D64 NaxoFluteLP /E
B10A.	355.323	125-10-10-D64-NaxoFluteLP-31,75/E	1A1	125x10x31.75	125-10-10		D64 NaxoFluteLP /E
B10A.	355.324	125-12-10-D64-NaxoFluteLP-20/E	1A1	125x12x20	125-12-10		D64 NaxoFluteLP /E
B10A.	355.325	125-12-10-D64-NaxoFluteLP-31,75/E	1A1	125x12x31.75	125-12-10		D64 NaxoFluteLP /E
B10A.	355.326	125-16-10-D64-NaxoFluteLP-20/E	1A1	125x16x20	125-16-10		D64 NaxoFluteLP /E
B10A.	355.327	125-16-10-D64-NaxoFluteLP-31,75/E	1A1	125x16x31.75	125-16-10		D64 NaxoFluteLP /E
NaxoFlute LP - 1A1 - Ø 150 mm							
B10A.	355.328	150-10-10-D64-NaxoFluteLP-20/E	1A1	150x10x20	150-10-10		D64 NaxoFluteLP /E
B10A.	355.329	150-10-10-D64-NaxoFluteLP-31,75/E	1A1	150x10x31.75	150-10-10		D64 NaxoFluteLP /E
B10A.	355.330	150-12-10-D64-NaxoFluteLP-20/E	1A1	150x12x20	150-12-10		D64 NaxoFluteLP /E
B10A.	355.331	150-12-10-D64-NaxoFluteLP-31,75/E	1A1	150x12x31.75	150-12-10		D64 NaxoFluteLP /E
B10A.	355.332	150-16-10-D64-NaxoFluteLP-20/E	1A1	150x16x20	150-16-10		D64 NaxoFluteLP /E
B10A.	355.333	150-16-10-D64-NaxoFluteLP-31,75/E	1A1	150x16x31.75	125-16-10		D64 NaxoFluteLP /E
NaxoFlute LP - 1V1 - Ø 100 mm							
B15A.	355.029	100-10/5°-10-D64-NaxoFluteLP-20/E	1V1	100x10x20	100-10-10	5°	D64 NaxoFluteLP /E
B15A.	355.030	100-10/5°-10-D64-NaxoFluteLP-31,75/E	1V1	100x10x31.75	100-10-10	5°	D64 NaxoFluteLP /E
B15A.	355.031	100-10/10°-10-D64-NaxoFluteLP-20/E	1V1	100x10x20	100-10-10	10°	D64 NaxoFluteLP /E
B15A.	355.032	100-10/10°-10-D64-NaxoFluteLP-31,75/E	1V1	100x10x31.75	100-10-10	10°	D64 NaxoFluteLP /E
B15A.	355.033	100-10/15°-10-D64-NaxoFluteLP-20/E	1V1	100x10x20	100-10-10	15°	D64 NaxoFluteLP /E
B15A.	355.034	100-10/15°-10-D64-NaxoFluteLP-31,75/E	1V1	100x10x31.75	100-10-10	15°	D64 NaxoFluteLP /E
B15A.	355.035	100-10/20°-10-D64-NaxoFluteLP-20/E	1V1	100x10x20	100-10-10	20°	D64 NaxoFluteLP /E
B15A.	355.036	100-10/20°-10-D64-NaxoFluteLP-31,75/E	1V1	100x10x31.75	100-10-10	20°	D64 NaxoFluteLP /E
B15A.	355.037	100-10/25°-10-D64-NaxoFluteLP-20/E	1V1	100x10x20	100-10-10	25°	D64 NaxoFluteLP /E
B15A.	355.038	100-10/25°-10-D64-NaxoFluteLP-31,75/E	1V1	100x10x31.75	100-10-10	25°	D64 NaxoFluteLP /E
B15A.	355.039	100-10/30°-10-D64-NaxoFluteLP-20/E	1V1	100x10x20	100-10-10	30°	D64 NaxoFluteLP /E
B15A.	355.040	100-10/30°-10-D64-NaxoFluteLP-31,75/E	1V1	100x10x31.75	100-10-10	30°	D64 NaxoFluteLP /E

Explanations:

NaxoFlute LP/E Very freecutting and soft. For low power machines. Steel Core

As only the core is in stock, the specification can be changed. Delivery time appx: 12 workdays.

Price according to pricerecalculation program. Semistock - 3 pc price (Changes as framework +5%)

Framework for possible changes in the semifinished stockwheels

Grit size: 46, 64, 91

Angle (1V1): 0 - 30 degrees (Beta)

T - measure: 5 - 16 mm (diam. 100 mm= 5 - 15 mm)

Semi finished stock

Wendt Art.no: 10dig.

SN.Art.no: 6dig.	Wendt description:	Fepa:	Dimensions:	Rim:	Angle:	Specification:
NaxoFlute LP - 1V1 - Ø 100 mm						
B15A. 355.041	100-12/5°-10-D64-NaxoFluteLP-20/E	1V1	100x12x20	100-12-10	5°	D64 NaxoFluteLP /E
B15A. 355.042	100-12/5°-10-D64-NaxoFluteLP-31,75/E	1V1	100x12x31.75	100-12-10	5°	D64 NaxoFluteLP /E
B15A. 355.043	100-12/10°-10-D64-NaxoFluteLP-20/E	1V1	100x12x20	100-12-10	10°	D64 NaxoFluteLP /E
B15A. 355.044	100-12/10°-10-D64-NaxoFluteLP-31,75/E	1V1	100x12x31.75	100-12-10	10°	D64 NaxoFluteLP /E
B15A. 355.045	100-12/15°-10-D64-NaxoFluteLP-20/E	1V1	100x12x20	100-12-10	15°	D64 NaxoFluteLP /E
B15A. 355.046	100-12/15°-10-D64-NaxoFluteLP-31,75/E	1V1	100x12x31.75	100-12-10	15°	D64 NaxoFluteLP /E
B15A. 355.047	100-12/20°-10-D64-NaxoFluteLP-20/E	1V1	100x12x20	100-12-10	20°	D64 NaxoFluteLP /E
B15A. 355.048	100-12/20°-10-D64-NaxoFluteLP-31,75/E	1V1	100x12x31.75	100-12-10	20°	D64 NaxoFluteLP /E
B15A. 355.049	100-12/25°-10-D64-NaxoFluteLP-20/E	1V1	100x12x20	100-12-10	25°	D64 NaxoFluteLP /E
B15A. 355.050	100-12/25°-10-D64-NaxoFluteLP-31,75/E	1V1	100x12x31.75	100-12-10	25°	D64 NaxoFluteLP /E
B15A. 355.051	100-12/30°-10-D64-NaxoFluteLP-20/E	1V1	100x12x20	100-12-10	30°	D64 NaxoFluteLP /E
B15A. 355.052	100-12/30°-10-D64-NaxoFluteLP-31,75/E	1V1	100x12x31.75	100-12-10	30°	D64 NaxoFluteLP /E
B15A. 355.053	100-15/5°-10-D64-NaxoFluteLP-20/E	1V1	100x15x20	100-15-10	5°	D64 NaxoFluteLP /E
B15A. 355.054	100-15/5°-10-D64-NaxoFluteLP-31,75/E	1V1	100x15x31.75	100-15-10	5°	D64 NaxoFluteLP /E
B15A. 355.055	100-15/10°-10-D64-NaxoFluteLP-20/E	1V1	100x15x20	100-15-10	10°	D64 NaxoFluteLP /E
B15A. 355.056	100-15/10°-10-D64-NaxoFluteLP-31,75/E	1V1	100x15x31.75	100-15-10	10°	D64 NaxoFluteLP /E
B15A. 355.057	100-15/15°-10-D64-NaxoFluteLP-20/E	1V1	100x15x20	100-15-10	15°	D64 NaxoFluteLP /E
B15A. 355.058	100-15/15°-10-D64-NaxoFluteLP-31,75/E	1V1	100x15x31.75	100-15-10	15°	D64 NaxoFluteLP /E
B15A. 355.059	100-15/20°-10-D64-NaxoFluteLP-20/E	1V1	100x15x20	100-15-10	20°	D64 NaxoFluteLP /E
B15A. 355.060	100-15/20°-10-D64-NaxoFluteLP-31,75/E	1V1	100x15x31.75	100-15-10	20°	D64 NaxoFluteLP /E
B15A. 355.061	100-15/25°-10-D64-NaxoFluteLP-20/E	1V1	100x15x20	100-15-10	25°	D64 NaxoFluteLP /E
B15A. 355.062	100-15/25°-10-D64-NaxoFluteLP-31,75/E	1V1	100x15x31.75	100-15-10	25°	D64 NaxoFluteLP /E
B15A. 355.063	100-15/30°-10-D64-NaxoFluteLP-20/E	1V1	100x15x20	100-15-10	30°	D64 NaxoFluteLP /E
B15A. 355.064	100-15/30°-10-D64-NaxoFluteLP-31,75/E	1V1	100x15x31.75	100-15-10	30°	D64 NaxoFluteLP /E

NaxoFlute LP - 1V1 - Ø 125 mm

B15A. 355.065	125-10/5°-10-D64-NaxoFluteLP-20/E	1V1	125x10x20	125-10-10	5°	D64 NaxoFluteLP /E
B15A. 355.066	125-10/5°-10-D64-NaxoFluteLP-31,75/E	1V1	125x10x31.75	125-10-10	5°	D64 NaxoFluteLP /E
B15A. 355.067	125-10/10°-10-D64-NaxoFluteLP-20/E	1V1	125x10x20	125-10-10	10°	D64 NaxoFluteLP /E
B15A. 355.068	125-10/10°-10-D64-NaxoFluteLP-31,75/E	1V1	125x10x31.75	125-10-10	10°	D64 NaxoFluteLP /E
B15A. 355.069	125-10/15°-10-D64-NaxoFluteLP-20/E	1V1	125x10x20	125-10-10	15°	D64 NaxoFluteLP /E
B15A. 355.070	125-10/15°-10-D64-NaxoFluteLP-31,75/E	1V1	125x10x31.75	125-10-10	15°	D64 NaxoFluteLP /E
B15A. 355.071	125-10/20°-10-D64-NaxoFluteLP-20/E	1V1	125x10x20	125-10-10	20°	D64 NaxoFluteLP /E
B15A. 355.072	125-10/20°-10-D64-NaxoFluteLP-31,75/E	1V1	125x10x31.75	125-10-10	20°	D64 NaxoFluteLP /E

Explanations:

NaxoFlute LP/E Very freecutting and soft. For low power machines. Steel Core

As only the core is in stock, the specification can be changed. Delivery time appx: 12 workdays.

Price according to pricecalculation program. Semistock - 3 pc price (Changes as framework +5%)

Framework for possible changes in the semifinished stockwheels

Grit size: 46, 64, 91
Angle (1V1): 0 - 30 degrees (Beta)
T - measure: 5 - 16 mm (diam. 100 mm= 5 - 15 mm)

Semi finished stock

Wendt Art.no: 10dig.

SN.Art.no: 6dig. **Wendt description:**

Fepa:

Dimensions:

Rim:

Angle:

Specification:

NaxoFlute LP - 1V1 - Ø 125 mm

B15A.	355.073	125-10/25°-10-D64-NaxoFluteLP-20/E	1V1	125x10x20	125-10-10	25°	D64 NaxoFluteLP /E
B15A.	355.074	125-10/25°-10-D64-NaxoFluteLP-31,75/E	1V1	125x10x31.75	125-10-10	25°	D64 NaxoFluteLP /E
B15A.	355.075	125-10/30°-10-D64-NaxoFluteLP-20/E	1V1	125x10x20	125-10-10	30°	D64 NaxoFluteLP /E
B15A.	355.076	125-10/30°-10-D64-NaxoFluteLP-31,75/E	1V1	125x10x31.75	125-10-10	30°	D64 NaxoFluteLP /E
B15A.	355.077	125-12/5°-10-D64-NaxoFluteLP-20/E	1V1	125x12x20	125-12-10	5°	D64 NaxoFluteLP /E
B15A.	355.078	125-12/5°-10-D64-NaxoFluteLP-31,75/E	1V1	125x12x31.75	125-12-10	5°	D64 NaxoFluteLP /E
B15A.	355.079	125-12/10°-10-D64-NaxoFluteLP-20/E	1V1	125x12x20	125-12-10	10°	D64 NaxoFluteLP /E
B15A.	355.080	125-12/10°-10-D64-NaxoFluteLP-31,75/E	1V1	125x12x31.75	125-12-10	10°	D64 NaxoFluteLP /E
B15A.	355.081	125-12/15°-10-D64-NaxoFluteLP-20/E	1V1	125x12x20	125-12-10	15°	D64 NaxoFluteLP /E
B15A.	355.082	125-12/15°-10-D64-NaxoFluteLP-31,75/E	1V1	125x12x31.75	125-12-10	15°	D64 NaxoFluteLP /E
B15A.	355.083	125-12/20°-10-D64-NaxoFluteLP-20/E	1V1	125x12x20	125-12-10	20°	D64 NaxoFluteLP /E
B15A.	355.084	125-12/20°-10-D64-NaxoFluteLP-31,75/E	1V1	125x12x31.75	125-12-10	20°	D64 NaxoFluteLP /E
B15A.	355.085	125-12/25°-10-D64-NaxoFluteLP-20/E	1V1	125x12x20	125-12-10	25°	D64 NaxoFluteLP /E
B15A.	355.086	125-12/25°-10-D64-NaxoFluteLP-31,75/E	1V1	125x12x31.75	125-12-10	25°	D64 NaxoFluteLP /E
B15A.	355.087	125-12/30°-10-D64-NaxoFluteLP-20/E	1V1	125x12x20	125-12-10	30°	D64 NaxoFluteLP /E
B15A.	355.088	125-12/30°-10-D64-NaxoFluteLP-31,75/E	1V1	125x12x31.75	125-12-10	30°	D64 NaxoFluteLP /E
B15A.	355.089	125-16/5°-10-D64-NaxoFluteLP-20/E	1V1	125x16x20	125-16-10	5°	D64 NaxoFluteLP /E
B15A.	355.090	125-16/5°-10-D64-NaxoFluteLP-31,75/E	1V1	125x16x31.75	125-16-10	5°	D64 NaxoFluteLP /E
B15A.	355.091	125-16/10°-10-D64-NaxoFluteLP-20/E	1V1	125x16x20	125-16-10	10°	D64 NaxoFluteLP /E
B15A.	355.092	125-16/10°-10-D64-NaxoFluteLP-31,75/E	1V1	125x16x31.75	125-16-10	10°	D64 NaxoFluteLP /E
B15A.	355.093	125-16/15°-10-D64-NaxoFluteLP-20/E	1V1	125x16x20	125-16-10	15°	D64 NaxoFluteLP /E
B15A.	355.094	125-16/15°-10-D64-NaxoFluteLP-31,75/E	1V1	125x16x31.75	125-16-10	15°	D64 NaxoFluteLP /E
B15A.	355.095	125-16/20°-10-D64-NaxoFluteLP-20/E	1V1	125x16x20	125-16-10	20°	D64 NaxoFluteLP /E
B15A.	355.096	125-16/20°-10-D64-NaxoFluteLP-31,75/E	1V1	125x16x31.75	125-16-10	20°	D64 NaxoFluteLP /E
B15A.	355.097	125-16/25°-10-D64-NaxoFluteLP-20/E	1V1	125x16x20	125-16-10	25°	D64 NaxoFluteLP /E
B15A.	355.098	125-16/25°-10-D64-NaxoFluteLP-31,75/E	1V1	125x16x31.75	125-16-10	25°	D64 NaxoFluteLP /E
B15A.	355.099	125-16/30°-10-D64-NaxoFluteLP-20/E	1V1	125x16x20	125-16-10	30°	D64 NaxoFluteLP /E
B15A.	355.100	125-16/30°-10-D64-NaxoFluteLP-31,75/E	1V1	125x16x31.75	125-16-10	30°	D64 NaxoFluteLP /E

NaxoFlute LP - 1V1 - Ø 150 mm

B15A.	355.101	150-10/5°-10-D64-NaxoFluteLP-20/E	1V1	150x10x20	150-10-10	5°	D64 NaxoFluteLP /E
B15A.	355.102	150-10/5°-10-D64-NaxoFluteLP-31,75/E	1V1	150x10x31.75	150-10-10	5°	D64 NaxoFluteLP /E
B15A.	355.103	150-10/10°-10-D64-NaxoFluteLP-20/E	1V1	150x10x20	150-10-10	10°	D64 NaxoFluteLP /E
B15A.	355.104	150-10/10°-10-D64-NaxoFluteLP-31,75/E	1V1	150x10x31.75	150-10-10	10°	D64 NaxoFluteLP /E

Explanations:

NaxoFlute LP/E Very freecutting and soft. For low power machines. Steel Core

As only the core is in stock, the specification can be changed. Delivery time appx: 12 workdays.

Price according to pricerecalculation program. Semistock - 3 pc price (Changes as framework +5%)

Framework for possible changes in the semifinished stockwheels

Grit size: 46, 64, 91,

Angle (1V1): 0 - 30 degrees (Beta)

T - measure: 5 - 16 mm (diam. 100 mm= 5 - 15 mm)

Semi finished stock

Wendt Art.no: 10dig.

SN.Art.no: 6dig.	Wendt description:	Fepa:	Dimensions:	Rim:	Angle:	Specification:
NaxoFlute LP - 1V1 - Ø 150 mm						
B15A. 355.105	150-10/15°-10-D64-NaxoFluteLP-20/E	1V1	150x10x20	150-10-10	15°	D64 NaxoFluteLP /E
B15A. 355.106	150-10/15°-10-D64-NaxoFluteLP-31,75/E	1V1	150x10x31.75	150-10-10	15°	D64 NaxoFluteLP /E
B15A. 355.107	150-10/20°-10-D64-NaxoFluteLP-20/E	1V1	150x10x20	150-10-10	20°	D64 NaxoFluteLP /E
B15A. 355.108	150-10/20°-10-D64-NaxoFluteLP-31,75/E	1V1	150x10x31.75	150-10-10	20°	D64 NaxoFluteLP /E
B15A. 355.109	150-10/25°-10-D64-NaxoFluteLP-20/E	1V1	150x10x20	150-10-10	25°	D64 NaxoFluteLP /E
B15A. 355.110	150-10/25°-10-D64-NaxoFluteLP-31,75/E	1V1	150x10x31.75	150-10-10	25°	D64 NaxoFluteLP /E
B15A. 355.111	150-10/30°-10-D64-NaxoFluteLP-20/E	1V1	150x10x20	150-10-10	30°	D64 NaxoFluteLP /E
B15A. 355.112	150-10/30°-10-D64-NaxoFluteLP-31,75/E	1V1	150x10x31.75	150-10-10	30°	D64 NaxoFluteLP /E
B15A. 355.113	150-12/5°-10-D64-NaxoFluteLP-20/E	1V1	150x12x20	150-12-10	5°	D64 NaxoFluteLP /E
B15A. 355.114	150-12/5°-10-D64-NaxoFluteLP-31,75/E	1V1	150x12x31.75	150-12-10	5°	D64 NaxoFluteLP /E
B15A. 355.115	150-12/10°-10-D64-NaxoFluteLP-20/E	1V1	150x12x20	150-12-10	10°	D64 NaxoFluteLP /E
B15A. 355.116	150-12/10°-10-D64-NaxoFluteLP-31,75/E	1V1	150x12x31.75	150-12-10	10°	D64 NaxoFluteLP /E
B15A. 355.117	150-12/15°-10-D64-NaxoFluteLP-20/E	1V1	150x12x20	150-12-10	15°	D64 NaxoFluteLP /E
B15A. 355.118	150-12/15°-10-D64-NaxoFluteLP-31,75/E	1V1	150x12x31.75	150-12-10	15°	D64 NaxoFluteLP /E
B15A. 355.119	150-12/20°-10-D64-NaxoFluteLP-20/E	1V1	150x12x20	150-12-10	20°	D64 NaxoFluteLP /E
B15A. 355.120	150-12/20°-10-D64-NaxoFluteLP-31,75/E	1V1	150x12x31.75	150-12-10	20°	D64 NaxoFluteLP /E
B15A. 355.121	150-12/25°-10-D64-NaxoFluteLP-20/E	1V1	150x12x20	150-12-10	25°	D64 NaxoFluteLP /E
B15A. 355.122	150-12/25°-10-D64-NaxoFluteLP-31,75/E	1V1	150x12x31.75	150-12-10	25°	D64 NaxoFluteLP /E
B15A. 355.123	150-12/30°-10-D64-NaxoFluteLP-20/E	1V1	150x12x20	150-12-10	30°	D64 NaxoFluteLP /E
B15A. 355.124	150-12/30°-10-D64-NaxoFluteLP-31,75/E	1V1	150x12x31.75	150-12-10	30°	D64 NaxoFluteLP /E
B15A. 355.005	150-16/5°-10-D64-NaxoFluteLP-20/E	1V1	150x16x20	150-16-10	5°	D64 NaxoFluteLP /E
B15A. 355.006	150-16/5°-10-D64-NaxoFluteLP-31,75/E	1V1	150x16x31.75	150-16-10	5°	D64 NaxoFluteLP /E
B15A. 355.007	150-16/10°-10-D64-NaxoFluteLP-20/E	1V1	150x16x20	150-16-10	10°	D64 NaxoFluteLP /E
B15A. 355.008	150-16/10°-10-D64-NaxoFluteLP-31,75/E	1V1	150x16x31.75	150-16-10	10°	D64 NaxoFluteLP /E
B15A. 355.009	150-16/15°-10-D64-NaxoFluteLP-20/E	1V1	150x16x20	150-16-10	15°	D64 NaxoFluteLP /E
B15A. 355.010	150-16/15°-10-D64-NaxoFluteLP-31,75/E	1V1	150x16x31.75	150-16-10	15°	D64 NaxoFluteLP /E
B15A. 355.011	150-16/20°-10-D64-NaxoFluteLP-20/E	1V1	150x16x20	150-16-10	20°	D64 NaxoFluteLP /E
B15A. 355.012	150-16/20°-10-D64-NaxoFluteLP-31,75/E	1V1	150x16x31.75	150-16-10	20°	D64 NaxoFluteLP /E
B15A. 355.013	150-16/25°-10-D64-NaxoFluteLP-20/E	1V1	150x16x20	150-16-10	25°	D64 NaxoFluteLP /E
B15A. 355.014	150-16/25°-10-D64-NaxoFluteLP-31,75/E	1V1	150x16x31.75	150-16-10	25°	D64 NaxoFluteLP /E
B15A. 355.015	150-16/30°-10-D64-NaxoFluteLP-20/E	1V1	150x16x20	150-16-10	30°	D64 NaxoFluteLP /E
B15A. 355.016	150-16/30°-10-D64-NaxoFluteLP-31,75/E	1V1	150x16x31.75	150-16-10	30°	D64 NaxoFluteLP /E

Explanations:

NaxoFlute LP/E Very freecutting and soft. For low power machines. Steel Core

As only the core is in stock, the specification can be changed. Delivery time appx: 12 workdays.

Price according to pricecalculation program. Semistock - 3 pc price (Changes as framework +5%)

Framework for possible changes in the semifinished stockwheels

Grit size: 46, 64, 91
Angle (1V1): 0 - 30 degrees (Beta)
T - measure: 5 - 16 mm (diam. 100 mm= 5 - 15 mm)



WINTERTHUR TECHNOLOGY GROUP

The Winterthur Technology Group has 15 production plants, located in Europe, the USA and Asia. The group maintains sales activities in more than 70 countries. Worldwide, the WTG group holds a leading position within several niche markets.



Västervik / Sweden



Meerbusch / Germany



Villach / Austria



Winterthur / Switzerland

Winterthur Schleiftechnik GmbH
D-72766 Reutlingen
Tel. +49 7121 9324-0
Fax +49 7121 9324-24
info@rappold-winterthur.de

Winterthur Technologie GmbH
A-9500 Villach
Tel. +43 4242 41 811-0
Fax +43 4242 41 811-700
office@rappold-winterthur.at

WENDT GMBH
D-40670 Meerbusch
Tel. +49 2159 671-0
Fax +49 2159 80624
info@wendtgroup.com

Winterthur Schleiftechnik AG
CH-8411 Winterthur
Tel. +41 52 234 41 41
Fax +41 52 232 51 01
wst@rappold-winterthur.com

SlipNaxos AB • SE 593 83 VÄSTERVIK • Sweden
Tel. +46 490 843 00 • Fax. + 46 490 146 00
www.slipnaxos.se • E-mail: support@slipnaxos.se

© SlipNaxos
SN 89-2 E